

YAMAHA

PARTS CATALOGUE

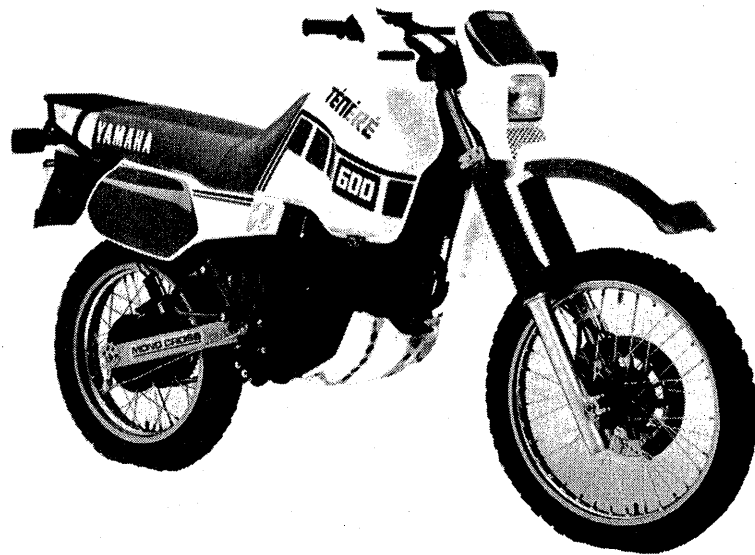
XT600Z'86 (1VJ)

EUROPE

XT600Z'86 (1VK)

SWITZERLAND

161VJ-300E1



A3



FOREWORD

This Parts Catalogue is related to the parts in use for the Yamaha XT600Z'86 (1VJ/1VK)
When you are ordering replacement parts for the XT600Z'86 (1VJ/1VK), refer to this Parts Catalogue and quote both part numbers and part names correctly.

1. Modifications or additions which have been made after issue of the Parts Catalogue will be announced in the Yamaha Parts News.
It is advisable that according to the Yamaha Parts News you make necessary corrections to the Parts Catalogue on hand to keep it up-to-date.

2. Abbreviations

The following abbreviations are used in this Parts Catalogue.

- U.R. Use size (thickness) and/or number as required.
- U.N. Use as many as you need.
- A.P. Alternate Parts
- L.M. Local Made
- F# Frame No. (Applicable machine No.)

3. The parts marked with (*) in the parts number column of this Catalogue are not supplied with by Yamaha, those have to be found locally.
4. Parts, which are to be supplied in the form of assemblies, are listed with an indentation of one letter's space, and a dot (.) is put against the name of each part.

EXAMPLE
 CARBURETOR ASS'Y
 . JET, pilot
 . NOZZLE, main

5. Indication of No. of constituent parts for assembly

The numeral appearing to the right of each constituent part under the description indicates the quantity of such parts for each individual assembly unit.

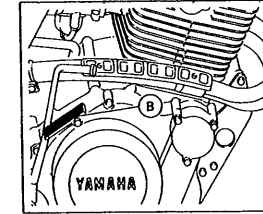
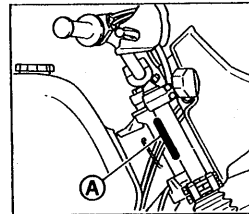
EXAMPLE

Part No.	Description	Q'ty	Remarks
2F5-83310-60	FRONT FLASHER LIGHT ASS'Y	2	
115-83311-60	. BULB (6V-18W)	1	
1M1-83309-60	. REFLECTOR	1	

6. Initial Serial No. and Color Code

1VJ	(A) Frame Serial No.	1VJ-000101 and following
	(B) Engine Serial No.	1VJ-000101 and following

1VK	(A) Frame Serial No.	1VK-000101 and following
	(B) Engine Serial No.	1VK-000101 and following



Color Code	Color Name	Abbreviate
36	WHITE	W
NJ	FARAWAY BLUE	FWB

7. Applicable colors of graphics are represented in the "Remarks" column by the letter(s) appropriately picked out of the full word(s) showing such colors.

EXAMPLE

Part No.	Description	Q'ty	Remarks
2N4-24110-00-X5	FUEL TANK COMP.	1	MAXIM RED
3J1-24240-10	. GRAPHIC, fuel tank set	1	for MXR

CONTENTS

GENERAL SPEC.

ENGINE

Fig. 1	CYLINDER HEAD	1
Fig. 2	CYLINDER	3
Fig. 3	CRANKSHAFT · PISTON	4
Fig. 4	VALVE	6
Fig. 5	CAMSHAFT · CAHIN	7
Fig. 6	OIL PUMP	8
Fig. 7	INTAKE	10
Fig. 8	CARBURETOR	12
Fig. 9	EXHAUST	14
Fig. 10	CRANKCASE	15
Fig. 11	CRANKCASE COVER 1	16
Fig. 12	STARTER	18
Fig. 13	STARTER CLUTCH	20
Fig. 14	CLUTCH	21
Fig. 15	TRANSMISSION	23
Fig. 16	SHIFT CAM · FORK	24
Fig. 17	SHIFT SHAFT	25

CHASSIS

Fig. 18	FRAME	26
Fig. 19	FENDER	28
Fig. 20	SIDE COVER	29
Fig. 21	REAR ARM	31
Fig. 22	REAR SUSPENSION	33

Fig. 23	STEERING	34
Fig. 24	FRONT FORK	36
Fig. 25	FUEL TANK	39
Fig. 26	SEAT · CARRIER	41
Fig. 27	FRONT WHEEL	42
Fig. 28	REAR WHEEL	44
Fig. 29	STEERING HANDLE · CABLE	46
Fig. 30	FRONT MASTER CYLINDER	48
Fig. 31	STAND · FOOTREST	49
Fig. 32	COWLING 1	51
Fig. 33	GENERATOR	52
Fig. 34	FLASHER LIGHT	53
Fig. 35	METER	54
Fig. 36	HEADLIGHT	55
Fig. 37	TAILLIGHT	56
Fig. 38	HANDLE SWITCH · LEVER	57
Fig. 39	ELECTRICAL 1	58
Fig. 40	ELECTRICAL 2	59

INDIVIDUAL SPEC.

FOR AUSTRIA

Fig. 41	ENGINE 1	64
Fig. 42	CHASSIS 1 (FRAME)	65
Fig. 43	CHASSIS (SEAT)	66
Fig. 44	ELECTRICAL 1	67
Fig. 45	ELECTRICAL 2	68

FOR DENMARK, NORWAY, SWEDEN

Fig. 46	ENGINE	70
Fig. 47	CHASSIS 1 (FRAME)	71
Fig. 48	CHASSIS 2 (FENDER)	72
Fig. 49	ELECTRICAL 1	73
Fig. 50	ELECTRICAL 2	74

FOR ENGLAND

Fig. 51	CHASSIS (FRAME)	76
Fig. 52	ELECTRICAL 1	77
Fig. 53	ELECTRICAL (METER)	78

FOR SWITZERLAND

Fig. 54	ENGINE 1 (CARBURETOR)	80
Fig. 55	ENGINE 2	82
Fig. 56	CHASSIS (FRAME)	83
Fig. 57	CHASSIS (FENDER)	84
Fig. 58	ALTERNATE (SEAT)	85
Fig. 59	ALTERNATE (ELECTRICAL)	86

INDEX (GENERAL SPEC.)

NUMERICAL INDEX

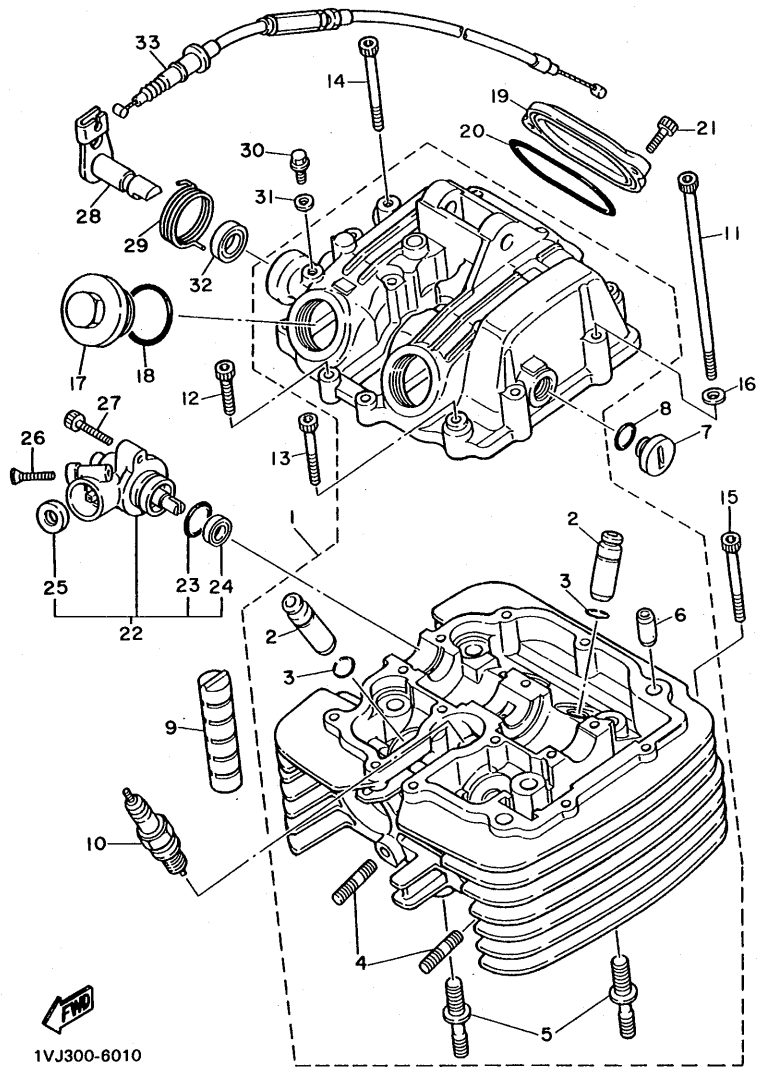
INDEX (INDIVIDUAL SPEC.)

NUMERICAL INDEX

GENERAL SPEC.



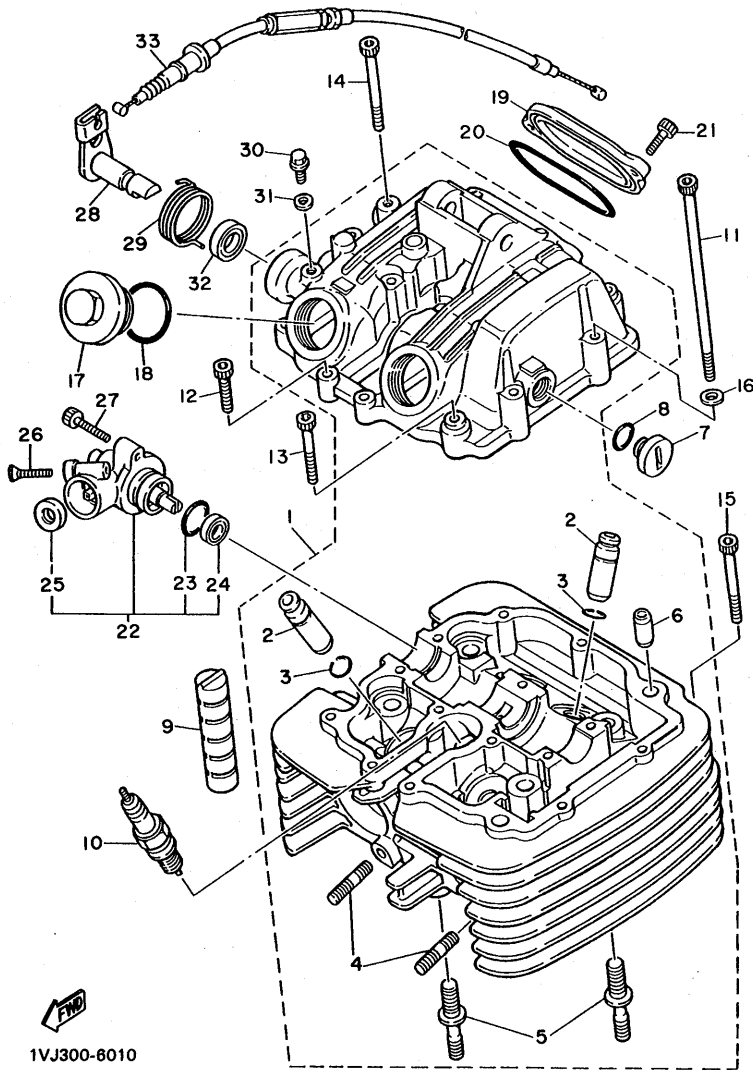
FIG. 1 CYLINDER HEAD



1VJ300-8010

REF. NO.	PART NO.	DESCRIPTION	Q'TY	REMARKS
1	1VJ-11101-01	CYLINDER HEAD ASSY	1	
2	4H7-11133-10	•GUIDE, intake valve	4	
3	93440-12052	•CIRCLIP	4	
4	90116-06475	•BOLT, stud	4	
5	90116-10378	•BOLT, stud	2	
6	99510-10114	•PIN, dowel	2	
7	90340-14079	PLUG, straight screw	1	
8	93210-14369	O-RING	1	
9	583-11127-00	ABSORBER 3	2	
10	94701-00262	PLUG, sPark (NGK DPR7EA 9)	1	
11	91316-06125	BOLT	2	
12	91316-06025	BOLT	4	
13	91316-06040	BOLT	3	
14	91316-06055	BOLT	7	
15	91316-06050	BOLT	1	
16	92906-06600	WASHER, Plate	2	
17	1H2-11186-00	COVER, cylinder head side 2	2	
18	93210-32172	O-RING	2	
19	5Y1-11187-00	COVER, cylinder head side 3	1	
20	93210-62446	O-RING	1	
21	91316-06018	BOLT	2	
22	5Y1-17800-00	GEAR UNIT ASSY, tacho. drive	1	
23	93210-19522	•O-RING	1	
24	93102-11262	•OIL SEAL	1	
25	93102-07261	•OIL SEAL	1	
26	92706-06030	SCREW, flat head	1	
27	91316-06025	BOLT	1	
28	34K-12288-00	CAM, decompression	1	

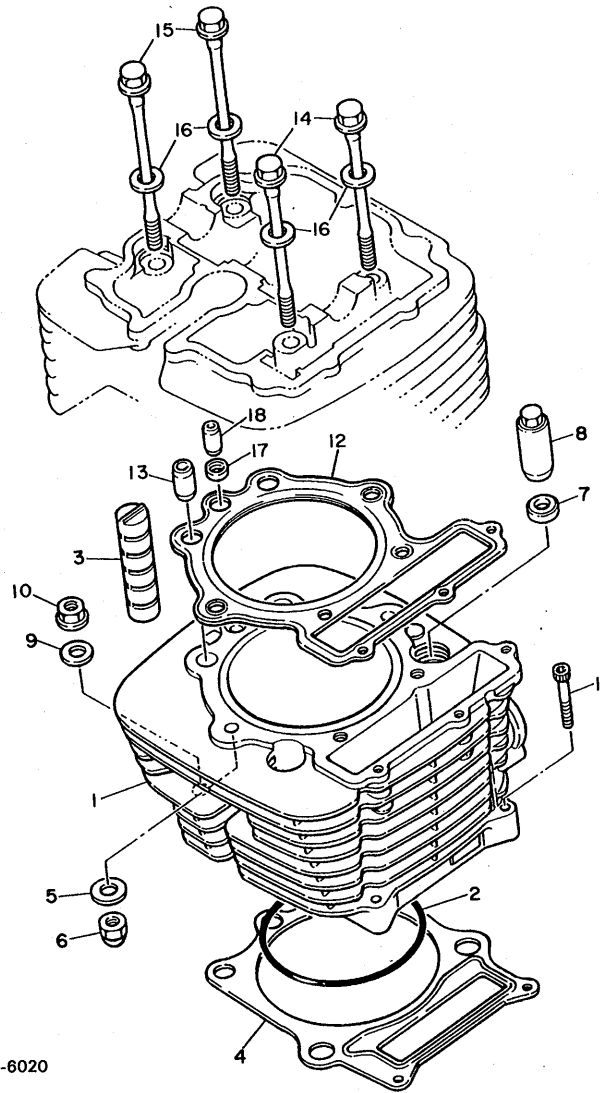
FIG. 1 CYLINDER HEAD



1VJ300-6010

B3

FIG. 2 CYLINDER

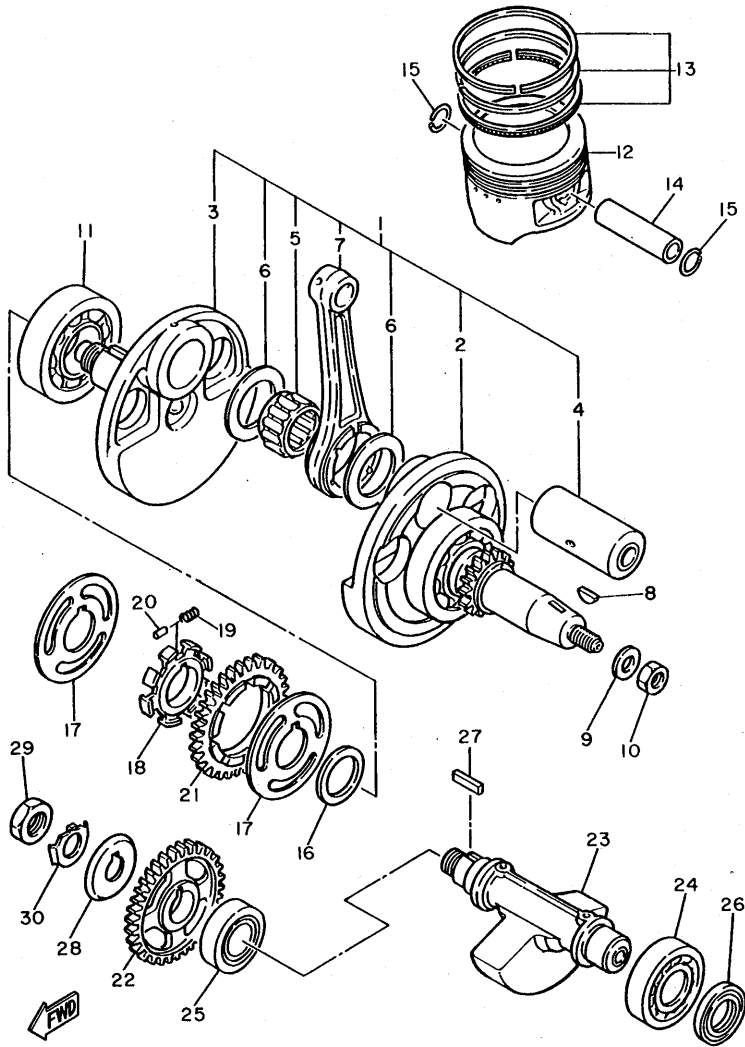


REF. NO.	PART NO.	DESCRIPTION	Q'TY	REMARKS
1	34L-11310-00	CYLINDER	1	
2	93210-98473	O-RING	1	
3	583-11127-00	ABSORBER 3	2	
4	34K-11351-00	GASKET, cylinder	1	
5	90201-080L8	WASHER, Plate	2	
6	90178-08026	NUT, crown	2	
7	90201-10590	WASHER, Plate	2	
8	90179-10201	NUT	2	
9	90201-10124	WASHER, Plate	2	
10	90179-10279	NUT	2	
11	90110-06138	BOLT, hexagon socket head	2	
12	1JK-11181-00	GASKET, cylinder head 1	1	
13	91810-05018	PIN, dowel	2	
14	90105-08213	BOLT, washer based	2	
15	90105-08214	BOLT, washer based	2	
16	90201-080L7	WASHER, Plate	4	
17	90430-08178	GASKET	1	
18	99510-08016	PIN, dowell	1	

 1VJ300-6020

B4

FIG. 3 CRANKSHAFT. PISTON

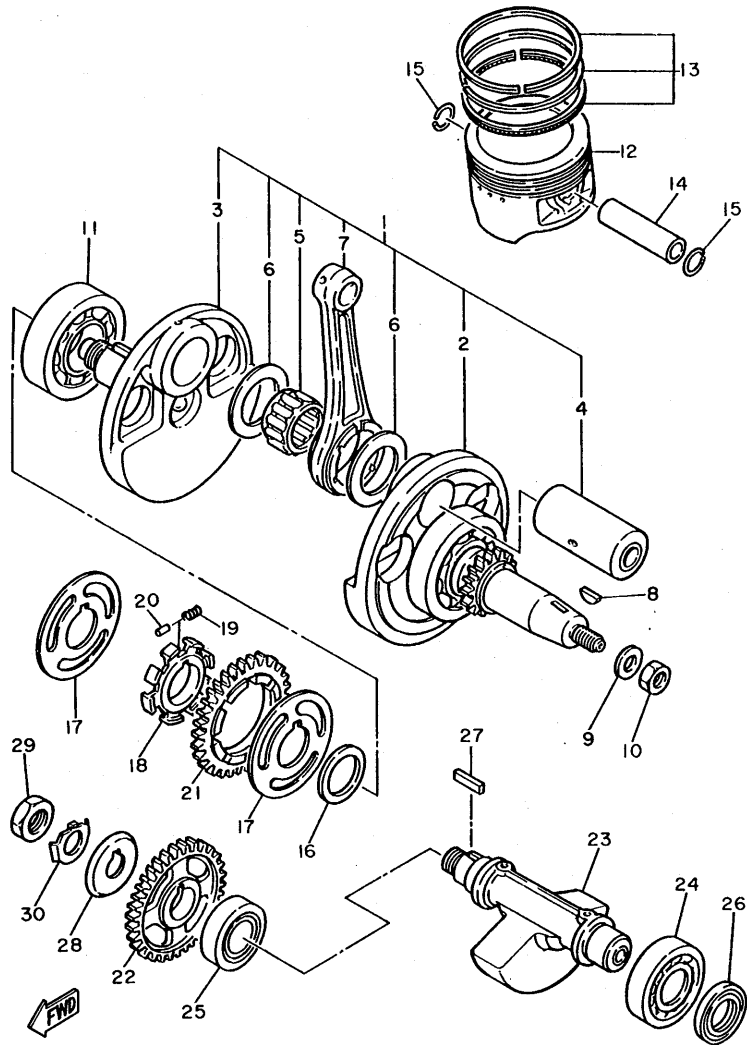


REF. NO.	PART NO.	DESCRIPTION	Q'TY	REMARKS
1	1VJ-11400-00	CRANKSHAFT ASSY	1	
2	1VJ-W1141-00	•CRANK 1	1	
3	1VJ-11422-00	•CRANK 2	1	
4	1VJ-11681-00	•PIN, crank 1	1	
5	93310-635R3	•BEARING, cylindrical	1	
6	90201-356K1	•WASHER, Plate	2	
7	1VJ-11651-00	•ROD, connecting	1	
8	90280-05013	KEY, woodruff	1	
9	90201-140A6	WASHER, Plate	1	
10	90179-14317	NUT	1	
11	93306-30710	BEARING	1	
12	34L-11631-01-YO	PISTON (STD)	1	UR
	34L-11636-01	PISTON (0.50MM O/S)	1	AP
	34L-11638-01	PISTON (1.00MM O/S)	1	AP
13	34L-11610-00	PISTON RING SET (STD)	1	UR
	34L-11610-20	PISTON RING SET (2ND O/S)	1	AP
	34L-11610-40	PISTON RING SET (4TH O/S)	1	AP
14	1JK-11633-00	PIN, Piston	1	
15	93450-24028	CIRCLIP	2	
16	90201-301F4	WASHER, Plate	1	
17	34K-11565-02	WASHER, bearing cover	2	
18	5Y1-11496-01	BOSS, buffer	1	
19	90501-22721	SPRING, compression	8	
20	93605-10090	PIN, dowel	4	
21	34K-11536-01	GEAR, drive(44T)	1	
22	5Y1-11531-00	GEAR, blance wt 44t	1	
23	34K-11454-00	WEIGHT 1	1	
24	93306-30525	BEARING (B6305)	1	

1VJ300-6030

B5

FIG. 3 CRANKSHAFT, PISTON

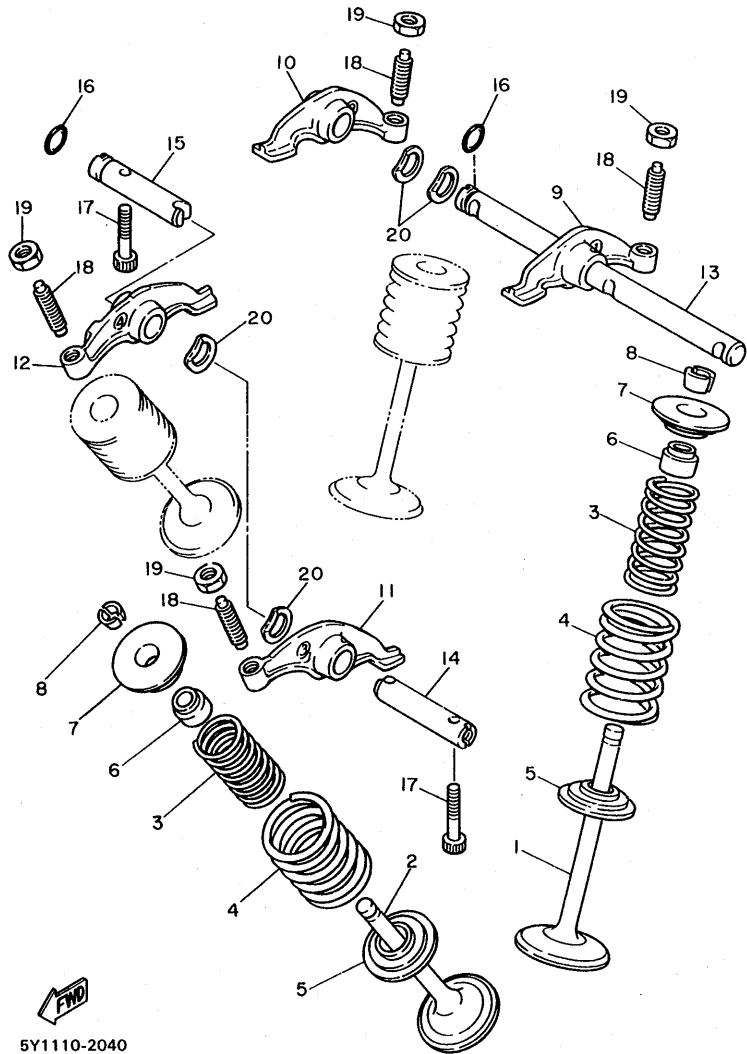


1VJ300-6030

REF. NO.	PART NO.	DESCRIPTION	Q'TY	REMARKS
25	93306-30541	BEARING	1	
26	93101-25106	OIL SEAL	1	
27	90282-05013	KEY, straight	1	
28	34K-11145-00	PLATE, breather 2	1	
29	90170-16343	NUT	1	
30	90215-16242	WASHER, lock	1	

B6

FIG. 4 VALVE

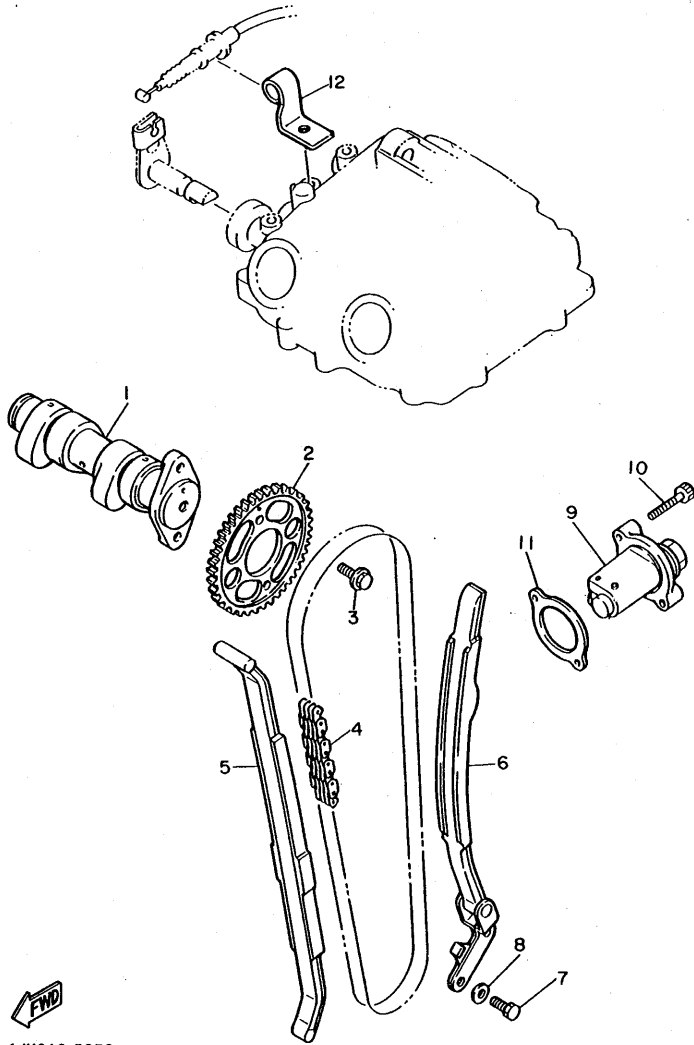


REF. NO.	PART NO.	DESCRIPTION	Q'TY	REMARKS
1	1VJ-12111-00	VALVE, intake	2	
2	1VJ-12121-00	VALVE, exhaust	2	
3	5Y1-12113-00	SPRING, valve inner	4	
4	5Y1-12114-00	SPRING, valve outer	4	
5	4H7-12116-00	SEAT, valve spring	4	
6	1J7-12119-01	SEAL, valve stem	4	
7	2F3-12117-00	RETAINER, valve spring	4	
8	1J7-12118-00	COTTER, valve	8	
9	34K-12151-00	ARM, valve rocker	1	
10	34K-12161-00	ARM, valve rocker 2	1	
11	34K-12162-00	ARM, valve rocker 3	1	
12	34K-12163-00	ARM, valve rocker 4	1	
13	5Y1-12146-00	SHAFT, rocker	1	
14	5Y1-12156-00	SHAFT, rocker 2	1	
15	5Y1-12166-00	SHAFT, rocker 3	1	
16	93210-08521	O-RING	2	
17	91316-06030	BOLT	2	
18	3Y1-12159-00	SCREW, valve adjusting	4	
19	90170-06128	NUT	4	
20	90206-12075	WASHER, wave	4	

5Y1110-2040

B7

FIG. 5 CAMSHAFT. CHAIN



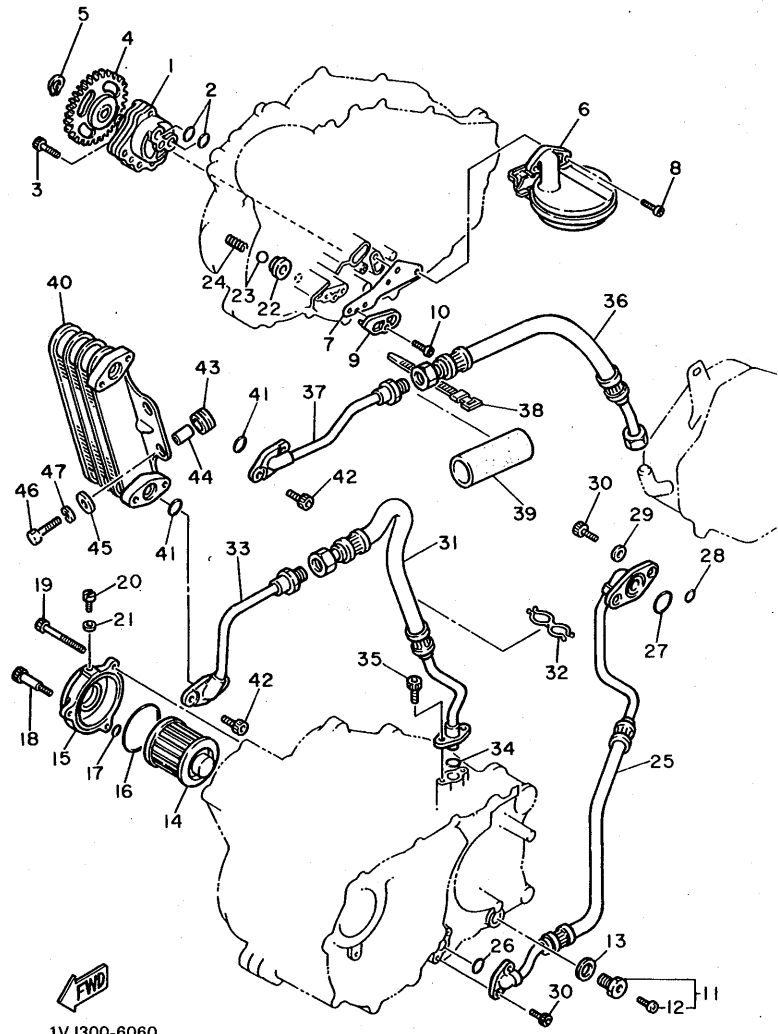
REF. NO.	PART NO.	DESCRIPTION	Q'TY	REMARKS
1	1JK-12170-00	CAMSHAFT ASSY 1	1	
2	34K-12176-00	SPROCKET, cam chain	1	
3	90105-07087	BOLT, washer based	2	
4	94580-92126	CHAIN	1	
5	34K-12231-00	GUIDE, stopPer 1	1	
6	34K-12241-00	GUIDE, stopPer 2	1	
7	97321-06016	BOLT	2	
8	92901-06600	WASHER, Plate	2	
9	34K-12210-00	TENSIONER ASSY, cam chain	1	
10	91316-06025	BOLT	2	
11	4X7-12213-00	GASKET, tensioner case	1	
12	5Y1-12283-00	BRACKET, decomPression	1	



1JK010-5050

B8

FIG. 6 OIL PUMP

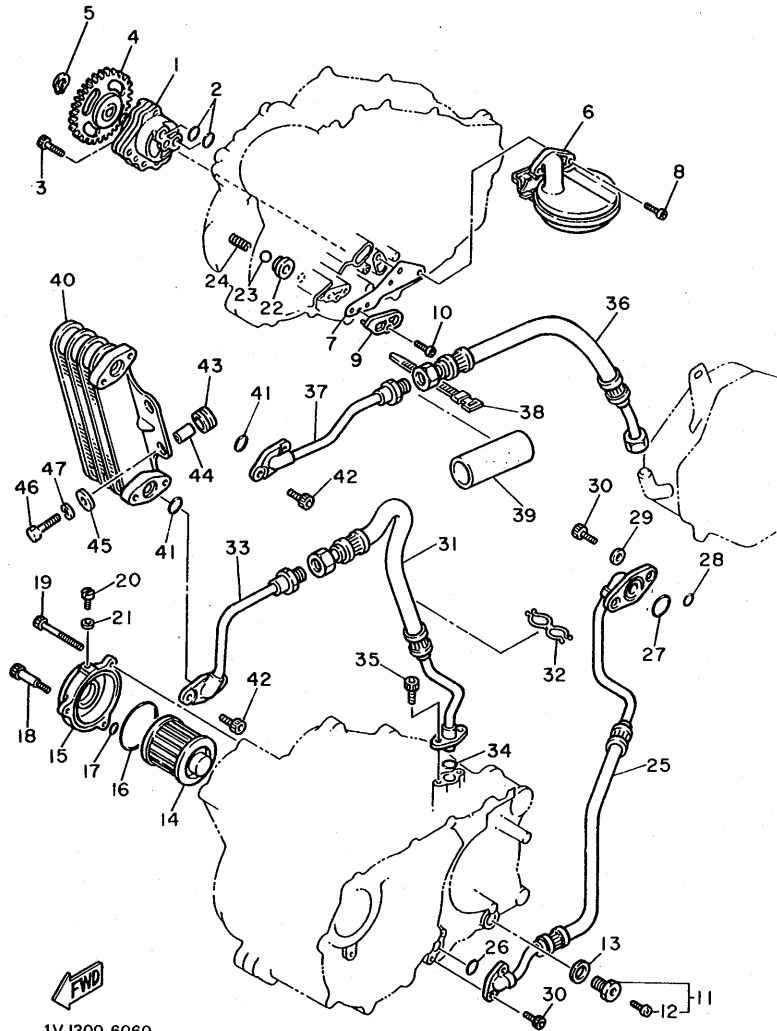


1VJ300-6060

REF. NO.	PART NO.	DESCRIPTION	Q'TY	REMARKS
1	1VJ-13300-00	OIL PUMP ASSY	1	
2	93210-13361	O-RING	2	
3	91316-06035	BOLT	3	
4	5Y1-13325-00	GEAR, PumP driven	1	
5	99009-11400	CIRCLIP	1	
6	5Y1-W1343-00	STRAINER COMP.	1	
7	5Y1-13415-01	SEAL, oil strainer	1	
8	92501-06014	SCREW, Pan head	2	
9	5Y1-15427-01	COVER, caP 2	1	
10	92501-06014	SCREW, Pan head	1	
11	11H-13455-00	PLUG	1	
12	98901-06008	SCREW, bind	1	
13	214-11198-01	GASKET	1	
14	4X7-13440-90	ELEMENT ASSY, oil cleaner	1	
15	583-13447-01	COVER, oil element	1	
16	93210-64297	O-RING	1	
17	93210-07135	O-RING	1	
18	90109-06419	BOLT	1	
19	91316-06080	BOLT	2	
20	90149-05110	SCREW	1	
21	90430-05126	GASKET	1	
22	583-13113-00	SEAT, check ball	1	
23	93503-08007	BALL	1	
24	90501-043E0	SPRING, comPression	1	
25	1VJ-13464-00	HOSE, oil 1	1	
26	93210-10197	O-RING	1	
27	93210-22298	O-RING	1	
28	93210-09350	O-RING	2	

B9

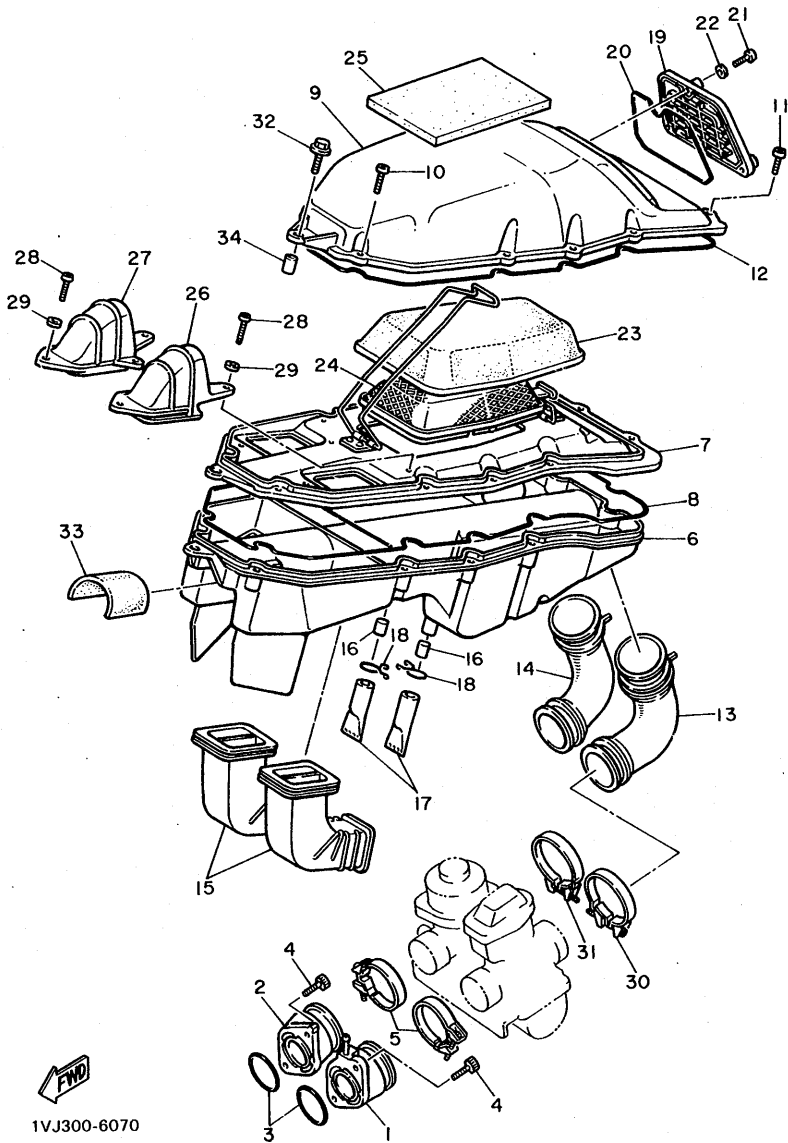
FIG. 6 OIL PUMP



1VJ300-6060

REF. NO.	PART NO.	DESCRIPTION	Q'TY	REMARKS
29	90430-06166	GASKET	2	
30	91316-06016	BOLT	4	
31	1VJ-13465-01	HOSE, oil 2	1	
32	90464-20064	CLAMP	1	
33	1VJ-13416-00	PIPE, oil 1	1	
34	93210-15171	O-RING	1	
35	91316-06016	BOLT	2	
36	1VJ-13466-02	HOSE, oil cooler	1	
37	1VJ-13418-00	PIPE, oil 2	1	
38	12R-82591-00	BAND	1	
39	1VJ-13488-00	PIPE, oil hose guide	1	
40	1VJ-13470-00	OIL COOLER ASSY	1	
41	93210-14579	O-RING	2	
42	91316-06012	BOLT	4	
43	90480-15235	GROMMET	2	
44	90387-060A7	COLLAR	2	
45	90209-06174	WASHER	2	
46	97306-06020	BOLT	2	
47	92906-06100	WASHER, spring	2	

FIG. 7 INTAKE



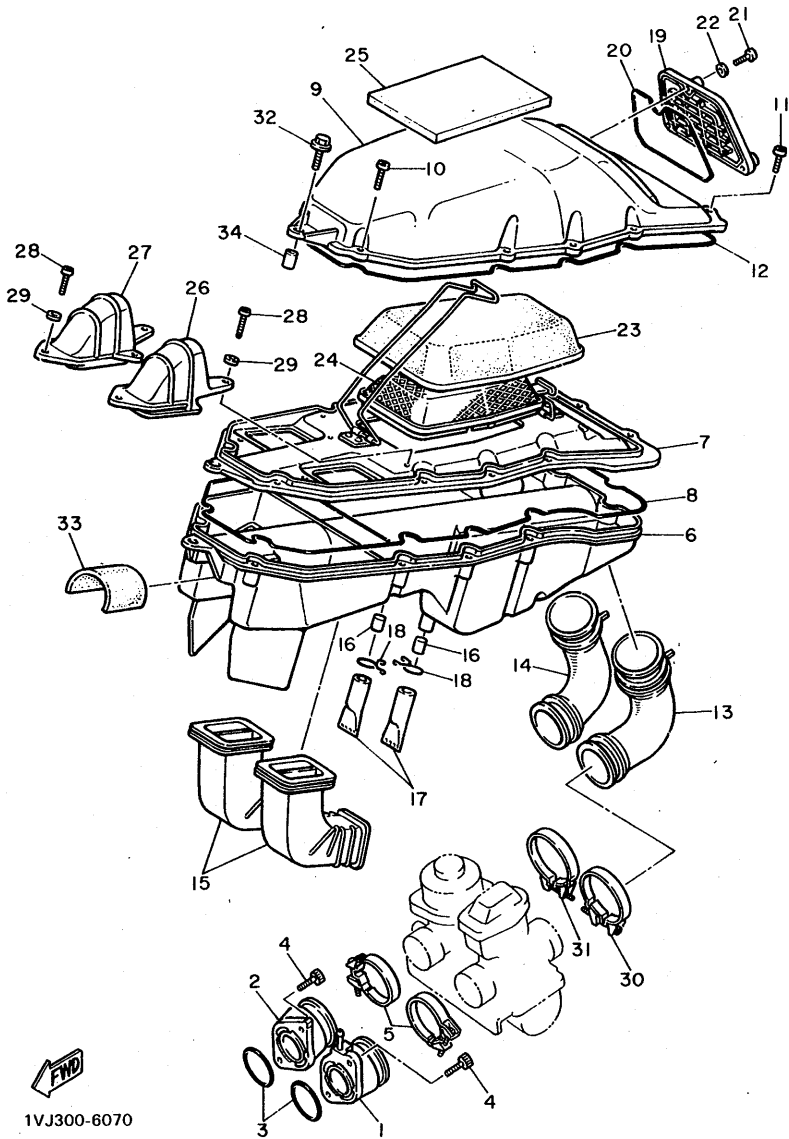
1VJ300-6070

REF. NO.	PART NO.	DESCRIPTION	Q'TY	REMARKS
1	43F-13586-01	JOINT, carburetor 1	1	
2	1VJ-13596-00	JOINT, carburetor 2	1	
3	93210-36549	O-RING	2	
4	91316-06020	BOLT	4	
5	90460-46206	CLAMP, hose	2	
6	1VJ-14411-02	CASE, air cleaner 1	1	
7	1VJ-W1441-01	PARTITION, air cleaner case	1	
8	1VJ-14462-00	SEAL	1	
9	1VJ-14421-01	CASE, air cleaner 2	1	
10	97706-50530	SCREW, tapping	8	
11	97706-50525	SCREW, tapping	2	
12	10V-14452-00	SEAL	1	
13	1VJ-14453-00	JOINT, air cleaner 1	1	
14	1VJ-14454-00	JOINT	1	
15	1VJ-14437-00	DUCT	2	
16	5H0-14462-00	SEAL	2	
17	47J-14457-00	SEAL	2	
18	90467-14015	CLIP	2	
19	1VJ-14412-00	CAP, cleaner case 1	1	
20	10M-14452-00	SEAL	1	
21	98506-05020	SCREW, Pan head	3	
22	92906-05600	WASHER, Plate	3	
23	1VJ-14451-00	ELEMENT, air cleaner	1	
24	1VJ-14458-00	GUIDE	1	
25	1VJ-14426-00	DAMPER 2	1	
26	1VJ-14469-00	FUNNEL, air	1	
27	1VJ-14479-00	FUNNEL	1	
28	97706-50520	SCREW, tapping	6	

B11

FIG. 7 INTAKE

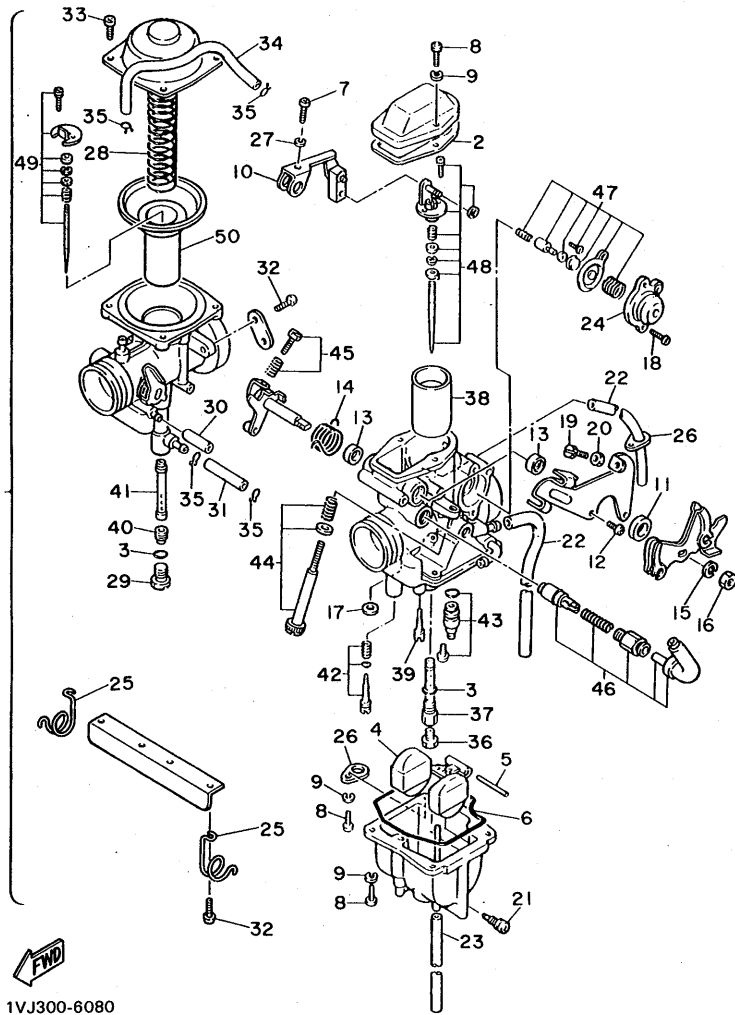
REF. NO.	PART NO.	DESCRIPTION	Q'TY	REMARKS
29	92906-05600	WASHER, Plate	6	
30	90460-51059	CLAMP, hose	1	
31	90460-58015	CLAMP, hose	1	
32	95806-06020	BOLT, flange	1	
33	1VJ-14425-00	DAMPER 1	1	
34	90387-06388	COLLAR	1	



1VJ300-6070

B12

FIG. 8 CARBURETOR

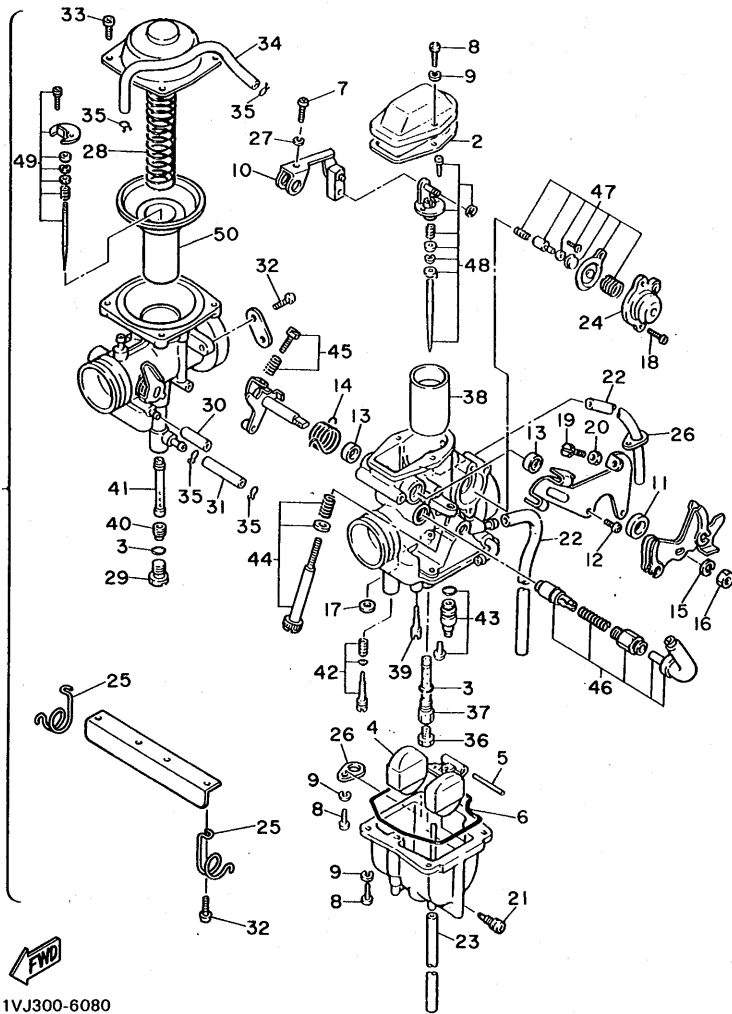


1VJ300-6080

REF. NO.	PART NO.	DESCRIPTION	Q'TY	REMARKS
1	1VJ-14301-00	CARBURETOR ASSY 1	1	
2	5Y1-14198-00	•GASKET	1	
3	360-24512-00	•GASKET	2	
4	5Y1-14385-00	•FLOAT	1	
5	6E5-14386-01	•PIN, float	1	
6	5Y1-14384-00	•GASKET, float chamber	1	
7	98580-04016	•SCREW, Pan head	1	
8	98501-04014	•SCREW, Pan head	6	
9	92902-04100	•WASHER, sPring	6	
10	1JK-14291-00	•CONNECTER COMP.	1	
11	1JK-14357-00	•COLLAR	1	
12	5Y1-14325-00	•SCREW, Pan head	2	
13	5Y1-14572-00	•SEAL	2	
14	1JK-14131-00	•SPRING, throttle valve	1	
15	5Y1-14356-00	•WASHER, sPring	1	
16	5Y1-14358-00	•NUT	1	
17	5Y1-14536-00	•GASKET	1	
18	98503-04010	•SCREW, Pan head	2	
19	30X-14216-00	•SCREW	1	
20	30X-14358-00	•NUT	1	
21	5Y1-14115-00	•PLUG, screw	1	
22	1VJ-14197-00	•PIPE	2	
23	1JK-14197-00	•PIPE	1	
24	5Y1-14293-01	•COVER 1	1	
25	1VJ-14378-00	•CLAMP, hose	2	
26	42U-14146-00	•PLATE	2	
27	92990-04100	•WASHER, sPring	1	
28	1VJ-14286-00	•SPRING	1	

B13

FIG. 8 CARBURETOR

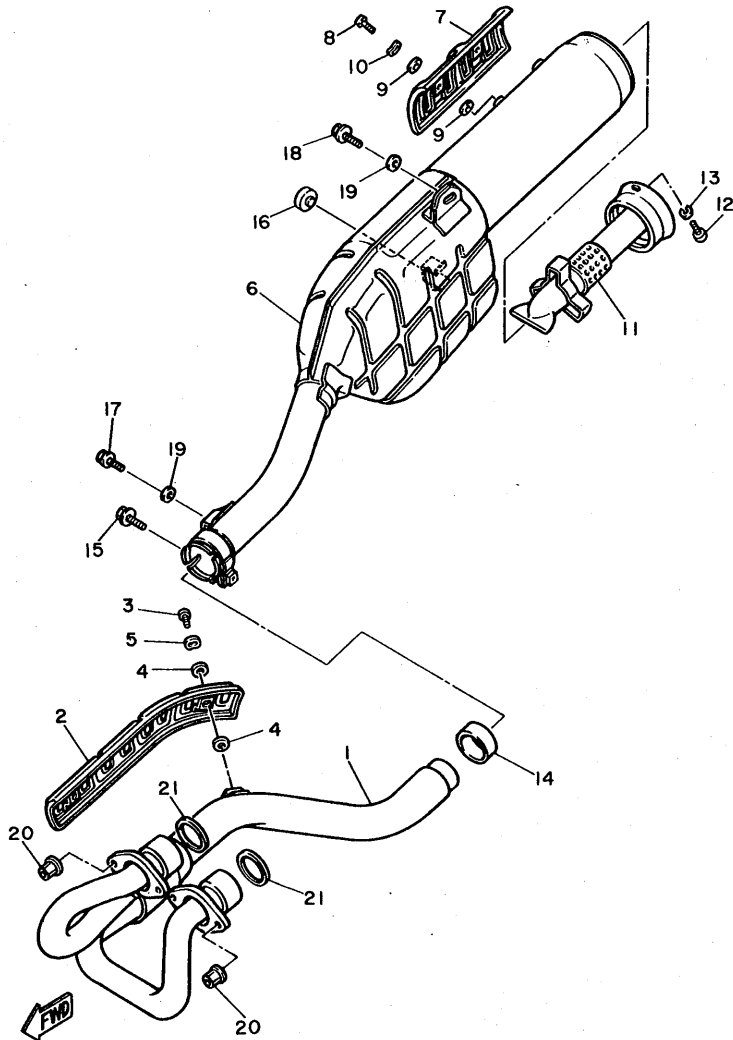


1VJ300-6080

REF. NO.	PART NO.	DESCRIPTION	Q'TY	REMARKS
29	30X-14394-00	•VALVE, drain	1	
30	5Y1-14349-00	•PIPE	1	
31	30X-14148-00	•PIPE	1	
32	98501-05010	•SCREW, Pan head	6	
33	98503-04010	•SCREW, Pan head	4	
34	5Y1-14149-00	•PIPE	1	
35	5Y1-14159-00	•CLIP	4	
36	288-14343-73	•JET, main (#145)	1	UR STD
	288-14343-70	•JET, main (#140)	1	UR
	288-14343-75	•JET, main (#150)	1	UR
37	5Y3-14341-00	•NOZZLE, main	1	
38	1XL-14312-55	•VALVE, throttle 1	1	
39	43F-14342-23	•JET, Pilot (# 46)	1	
40	30X-14343-63	•JET, main (#125)	1	
41	1JK-14355-00	•NOZZLE, main 2	1	
42	1JK-14105-00	•PILOT SCREW SET	1	
43	1JK-14107-01	•NEEDLE VALVE SET	1	
44	1JK-1490K-00	•STOP SCREW SET	1	
45	1JK-14103-00	•THROTTLE SCREW SET	1	
46	1JK-1410A-01	•STARTER SET	1	
47	1JK-1490A-00	•DIAPHRAGM SET, 1	1	
48	1VJ-1490J-10	•NEEDLE SET	1	
49	1VJ-1490J-00	•NEEDLE SET	1	
50	1JK-14340-00	•VALVE ASSY	1	

B14

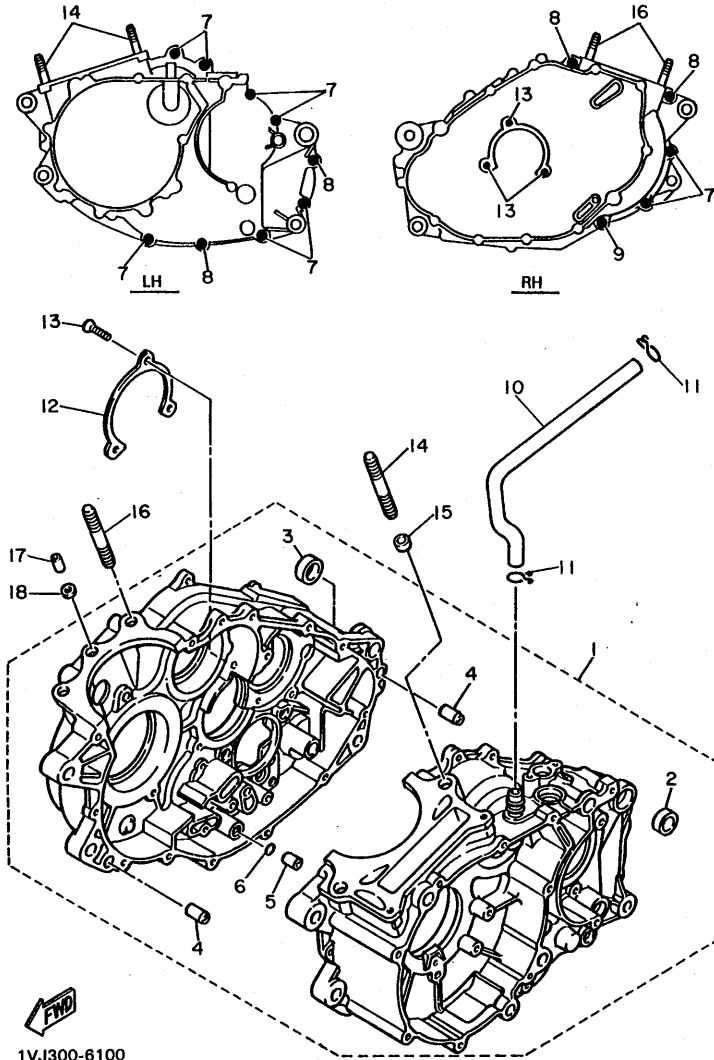
FIG. 9 EXHAUST



1VJ300-6090

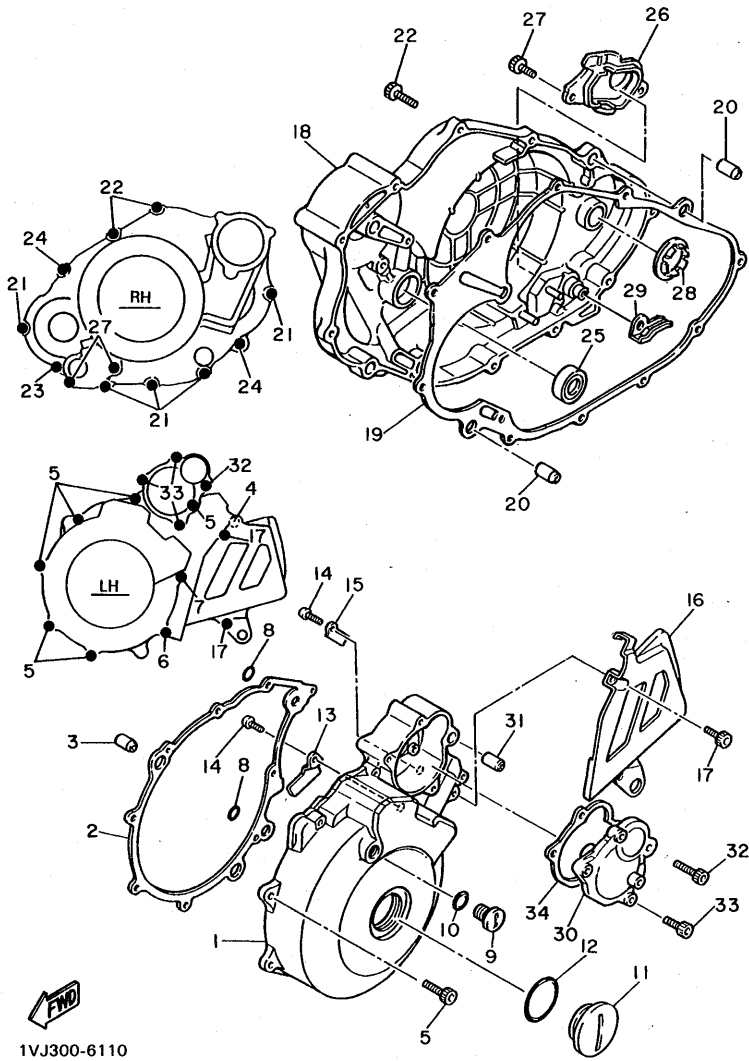
REF. NO.	PART NO.	DESCRIPTION	Q'TY	REMARKS
1	34K-14611-00	PIPE, exhaust 1	1	
2	34K-14628-00	PROTECTOR, exhaust Pipe	1	
3	90164-06017	SCREW, tapping	2	
4	30X-14766-00	WASHER, Protector	4	
5	90206-06060	WASHER, wave	2	
6	1VJ-14711-00	MUFFLER 1	1	
7	30X-14728-00	PROTECTOR, muffler 2	1	
8	98906-06010	SCREW, bind	2	
9	583-14766-00	WASHER, Protector	4	
10	90206-06060	WASHER, wave	2	
11	1VJ-14752-00	PIPE, outlet	1	
12	92501-06008	SCREW, Pan head	2	
13	92990-06100	WASHER, spring	2	
14	34K-14714-00	GASKET, muffler	1	
15	95816-08045	BOLT, flange	1	
16	22W-24181-00	DAMPER, locating 1	1	
17	95811-08012	BOLT, flange	1	
18	95821-08020	BOLT, flange	1	
19	90201-08326	WASHER, Plate	2	
20	90179-06499	NUT	4	
21	5Y1-14613-00	GASKET, exhaust Pipe	2	

FIG. 10 CRANKCASE



REF. NO.	PART NO.	DESCRIPTION	Q'TY	REMARKS
1	1VJ-15100-02	CRANKCASE ASSY	1	
2	90387-17783	•COLLAR	1	
3	90387-16782	•COLLAR	1	
4	99530-12016	•PIN, dowel	2	
5	99510-08016	•PIN, dowel	1	
6	93210-07135	•O-RING	1	
7	91316-06030	BOLT	9	
8	91316-06045	BOLT	4	
9	91316-06060	BOLT	1	
10	1VJ-11166-00	PIPE, breather 1	1	
11	90467-14015	CLIP	2	
12	5Y1-15383-00	PLATE, bearing cover	1	
13	92701-06012	SCREW, flat head	3	
14	90116-10087	BOLT, stud	2	
15	99530-12016	PIN, dowel	2	
16	90116-10263	BOLT, stud	2	
17	99510-08016	PIN, dowel	1	
18	90430-08178	GASKET	1	

FIG. 11 CRANKCASE COVER 1

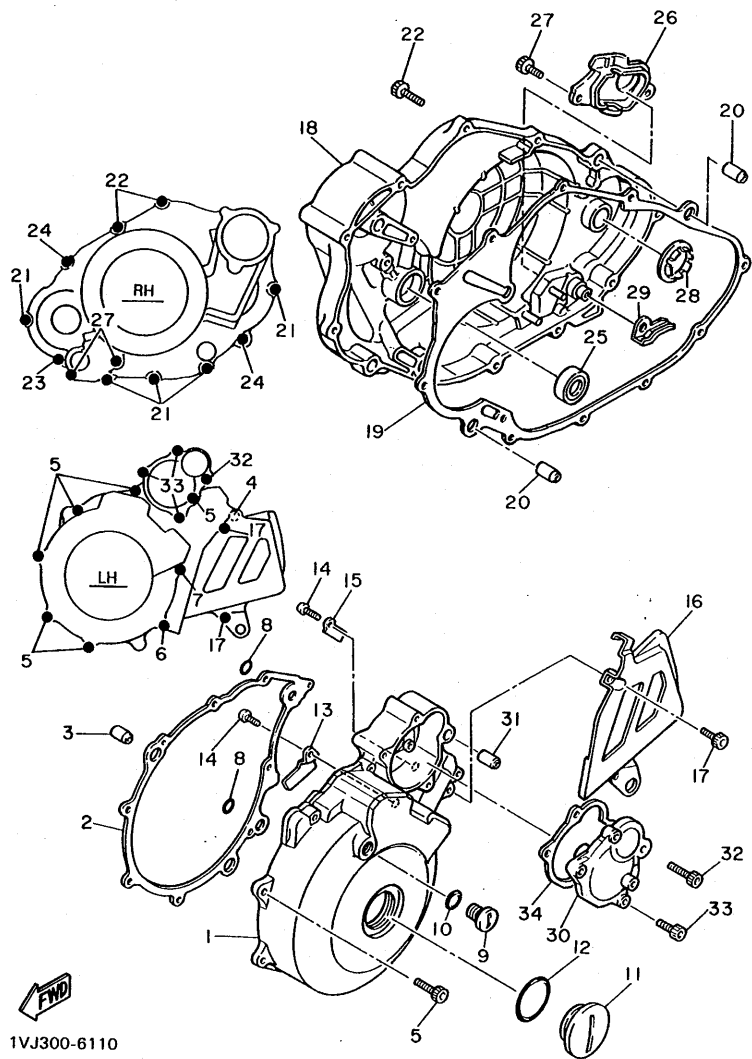


REF. NO.	PART NO.	DESCRIPTION	Q'TY	REMARKS
1	1VJ-15411-00	COVER, crankcase 1	1	
2	1VJ-15451-00	GASKET, crankcase cover 1	1	
3	99530-12016	PIN, dowel	2	
4	91316-06035	BOLT	1	
5	91316-06025	BOLT	6	
6	91316-06050	BOLT	1	
7	91316-06050	BOLT	1	
8	93210-13361	O-RING	2	
9	90340-14079	PLUG, straight screw	1	
10	93210-14369	O-RING	1	
11	90340-36078	PLUG, straight screw	1	
12	93210-36510	O-RING	1	
13	90465-16301	CLAMP	1	
14	92501-06012	SCREW, Pan head	2	
15	90462-16102	CLAMP	1	
16	1VJ-15421-00	COVER, crankcase 2	1	
17	91316-06016	BOLT	2	
18	5Y1-15431-02	COVER, crankcase 3	1	
19	34K-15462-00	GASKET, crankcase cover 3	1	
20	99530-12016	PIN, dowel	2	
21	91316-06025	BOLT	5	
22	91316-06040	BOLT	2	
23	91316-06030	BOLT	1	
24	91316-06035	BOLT	2	
25	93101-14092	OIL SEAL	1	
26	5Y1-15417-01	COVER, caP	1	
27	91316-06016	BOLT	2	
28	5Y1-15645-00	SHIM, kick shaft	1	

1VJ300-6110

C3

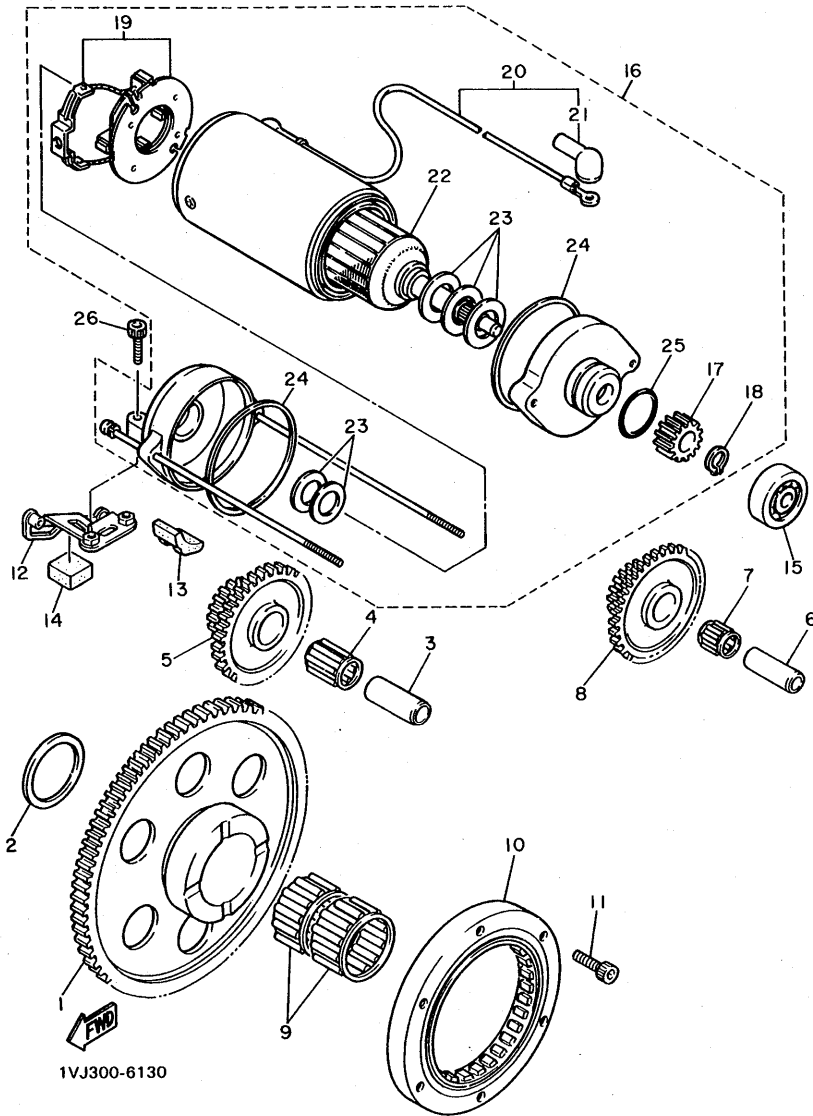
FIG. 11 CRANKCASE COVER 1



1VJ300-6110

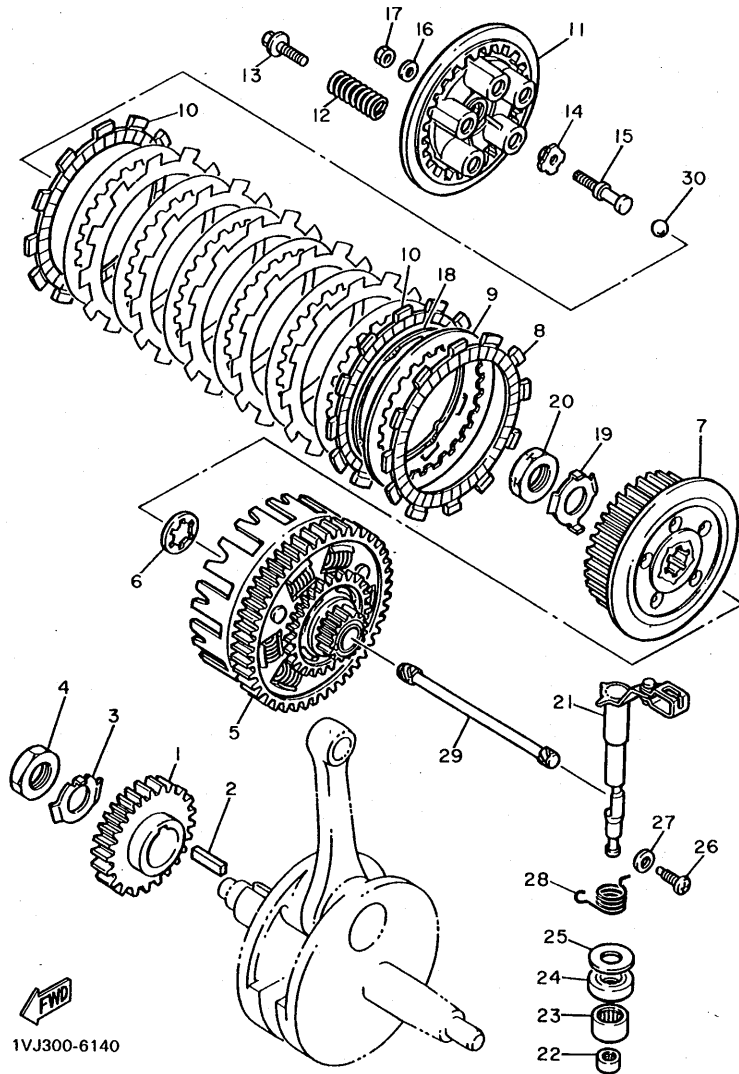
REF. NO.	PART NO.	DESCRIPTION	Q'TY	REMARKS
29	5Y1-1562F-01	PLATE, decomP	1	
30	1VJ-15415-00	COVER, Generator	1	
31	99510-08016	PIN, dowel	1	
32	91316-06035	BOLT	1	
33	91316-06025	BOLT	3	
34	1VJ-15455-00	GASKET 1	1	

FIG. 13 STARTER CLUTCH



REF. NO.	PART NO.	DESCRIPTION	Q'TY	REMARKS
1	1VJ-15515-00	GEAR 3	1	
2	90201-307K8	WASHER, Plate	1	
3	1VJ-15522-00	SHAFT 2	1	
4	93310-217R7	BEARING, cylindrical	1	
5	1VJ-15517-00	GEAR, idler 2	1	
6	1VJ-15521-00	SHAFT 1	1	
7	93310-212R6	BEARING, cylindrical	1	
8	1VJ-15512-00	GEAR, idler 1	1	
9	93310-530R5	BEARING, cylindrical	2	
10	1VJ-15590-00	STARTER CHAIN GUIDE ASSY	1	
11	91311-08020	BOLT	6	
12	1VJ-15544-02	STAY 1	1	
13	1VJ-15486-00	GROMMET	1	
14	1VJ-15487-00	GROMMET 2	1	
15	93306-20006	BEARING (B6200)	1	
16	1VJ-81800-60	STARTING MOTOR ASSY	1	
17	1VJ-15511-00	•GEAR, starting motor	1	
18	93440-11024	•CIRCLIP	1	
19	1VJ-81801-00	•BRUSH SET	1	
20	1VJ-81836-00	•CORD COMP.	1	
21	4G0-81871-00	••CAP	1	
22	1VJ-81850-00	•ARMATURE ASSY	1	
23	1VJ-81809-00	•WASHER KIT	1	
24	4G0-81844-00	•GASKET	2	
25	26H-81847-00	•O-RING	1	
26	91316-06020	BOLT	2	

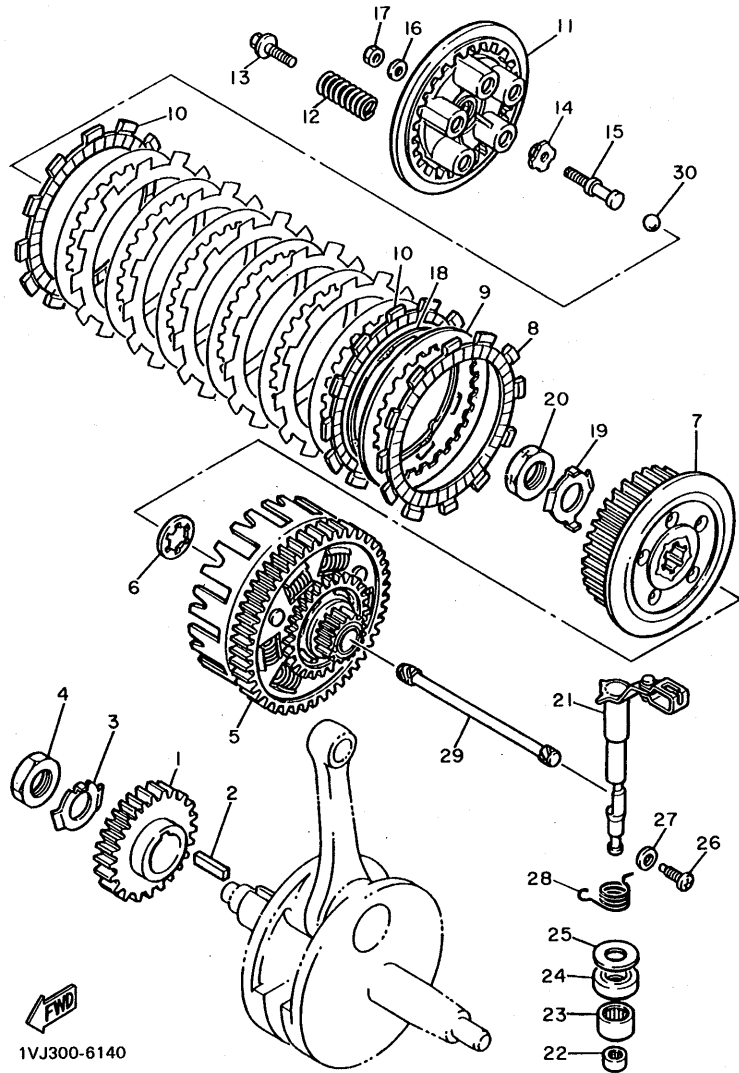
FIG. 14 CLUTCH



1VJ300-6140

REF. NO.	PART NO.	DESCRIPTION	Q'TY	REMARKS
1	34K-16111-00	GEAR, Primary drive(31T)	1	
2	90282-07042	KEY, straight	1	
3	90215-20197	WASHER, lock	1	
4	90170-20274	NUT	1	
5	34K-16150-00	PRIMARY DRIVEN GEAR COMP.(74T)	1	
6	3Y1-16154-00	PLATE, thrust 1	1	
7	34K-16371-00	BOSS, clutch	1	
8	5Y1-16321-00	PLATE, friction	6	
9	360-16325-00	PLATE, clutch 2	7	
10	5Y1-16331-01	PLATE, friction 2	2	
11	5Y1-16351-00	PLATE, Pressure 1	1	
12	90501-23142	SPRING, compression	5	
13	90159-06010	SCREW, with washer	5	
14	30X-16358-00	PLATE, Push	1	
15	34K-16356-00	ROD, Push 1	1	
16	92901-06200	WASHER, Plain	1	
17	95301-06600	NUT	1	
18	5Y1-16383-00	SPRING, clutch boss	1	
19	90215-20231	WASHER, lock	1	
20	90170-20327	NUT	1	
21	1VJ-16380-01	PUSH LEVER ASSY	1	
22	93317-11020	BEARING, cylindrical	1	
23	93315-11720	BEARING, cylindrical	1	
24	93102-17148	OIL SEAL	1	
25	90430-08119	GASKET	1	
26	90149-08067	SCREW	1	
27	90201-17327	WASHER, Plate	1	
28	90508-14710	SPRING, torsion	1	

FIG. 14 CLUTCH

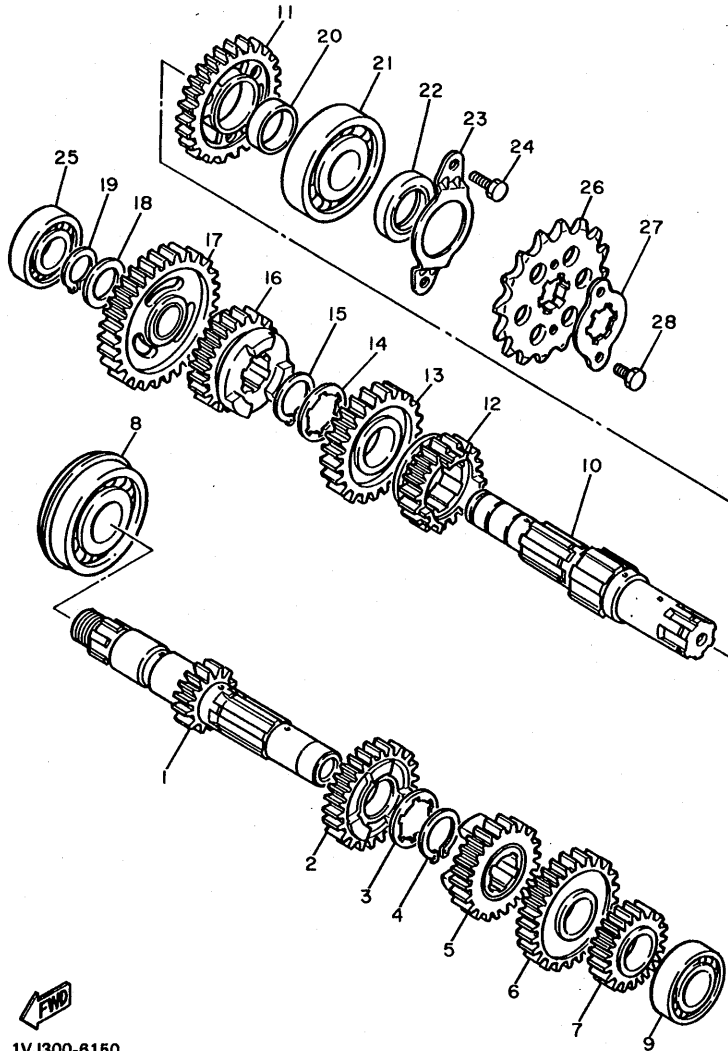


1VJ300-6140

REF. NO.	PART NO.	DESCRIPTION	Q'TY	REMARKS
29	5Y1-16357-00	ROD, Push 2	1	
30	93515-32029	BALL	1	

C9

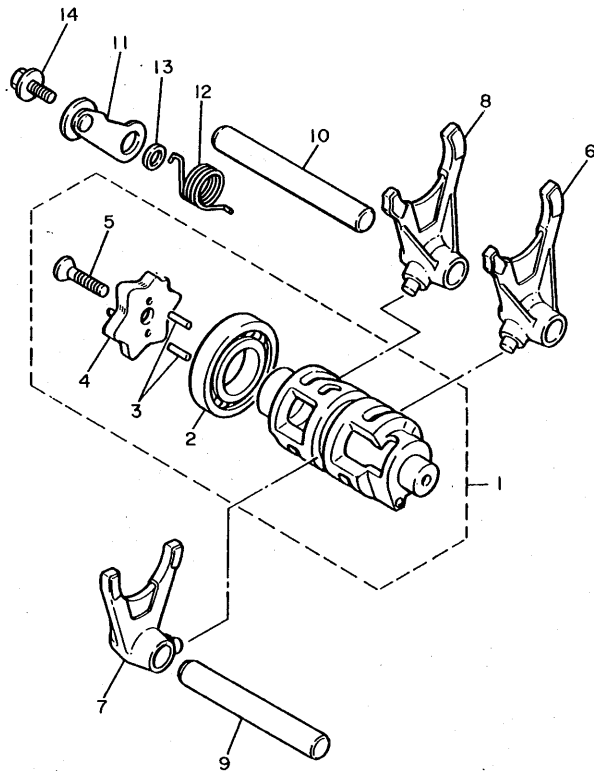
FIG. 15 TRANSMISSION




1VJ300-8150

REF. NO.	PART NO.	DESCRIPTION	Q'TY	REMARKS
1	34L-17411-00	AXLE, main(12T)	1	
2	34K-17141-00	GEAR, 4th Pinion(22T)	1	
3	90209-22191	WASHER	1	
4	93440-25084	CIRCLIP	1	
5	1VJ-17131-00	GEAR, 3rd Pinion (20T)	1	
6	1VJ-17151-01	GEAR, 5th Pinion (27T)	1	
7	34K-17121-01	GEAR, 2nd Pinion (17T)	1	
8	93306-30540	BEARING	1	
9	93306-00431	BEARING	1	
10	1VJ-17402-00	DRIVE AXLE ASSY	1	
11	5Y1-17221-01	GEAR, 2nd wheel (27T)	1	
12	5Y1-17251-00	GEAR, 5th wheel(21T)	1	
13	1VJ-17231-00	GEAR, 3rd wheel (24T)	1	
14	90209-22191	WASHER	1	
15	93440-25084	CIRCLIP	1	
16	55U-17241-00	GEAR, 4th wheel (21T)	1	
17	34L-17211-00	GEAR, 1st wheel(31T)	1	
18	90201-20276	WASHER, Plate (1.0T)	1	
19	99009-20400	CIRCLIP	1	
20	90560-25283	SPACER	1	
21	93306-30535	BEARING	1	
22	93102-25226	OIL SEAL	1	
23	5Y1-17471-00	PLATE, cover	1	
24	97321-06014	BOLT	2	
25	93306-00426	BEARING	1	
26	1JK-17461-50	SPROCKET, drive (15T)	1	
27	3Y1-17456-00	HOLDER, sProcket	1	
28	97322-06010	BOLT	2	

FIG. 16 SHIFT CAM. FORK



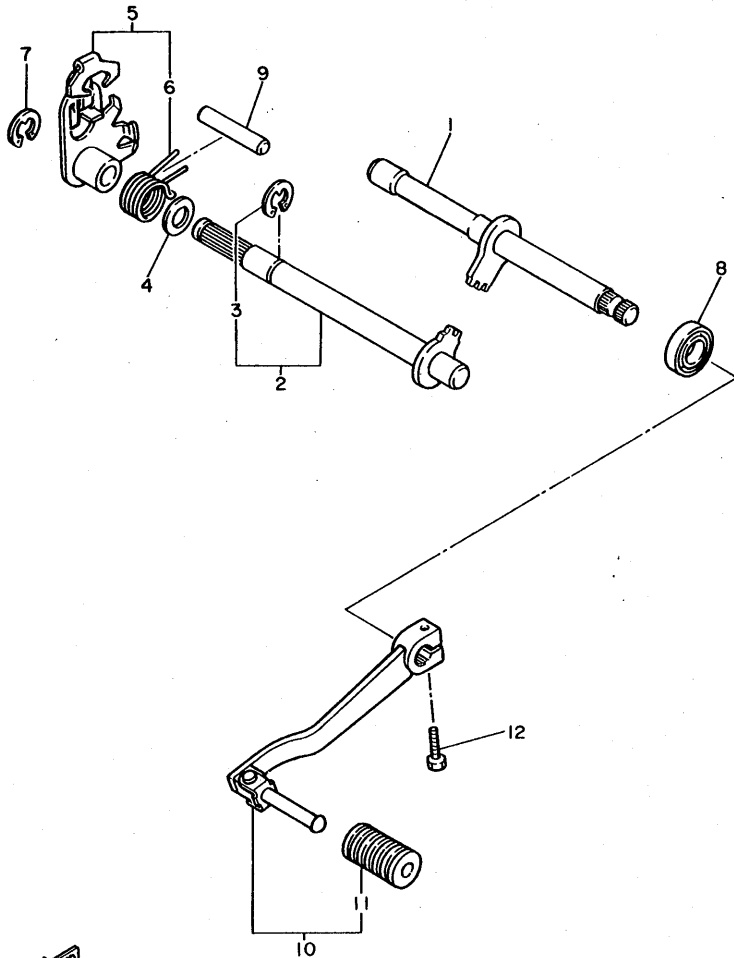
REF. NO.	PART NO.	DESCRIPTION	Q'TY	REMARKS
1	5Y1-18540-00	SHIFT CAM ASSY	1	
2	93316-00503	•BEARING, cylindrical	1	
3	93604-10011	•PIN, dowel	2	
4	5Y1-18185-00	•SEGMENT	1	
5	90151-06017	•SCREW, countersunk	1	
6	5Y1-18511-00	FORK, shift 1	1	
7	5Y1-18512-00	FORK, shift 2	1	
8	5Y1-18513-00	FORK, shift 3	1	
9	34K-18531-00	BAR, shift fork Guide 1	1	
10	34K-18535-00	BAR, shift fork Guide 2	1	
11	34K-18140-00	STOPPER LEVER ASSY	1	
12	90508-26691	SPRING, torsion	1	
13	90387-063F7	COLLAR	1	
14	90159-06078	SCREW, with washer	1	



34K100-3150

C11

FIG. 17 SHIFT SHAFT



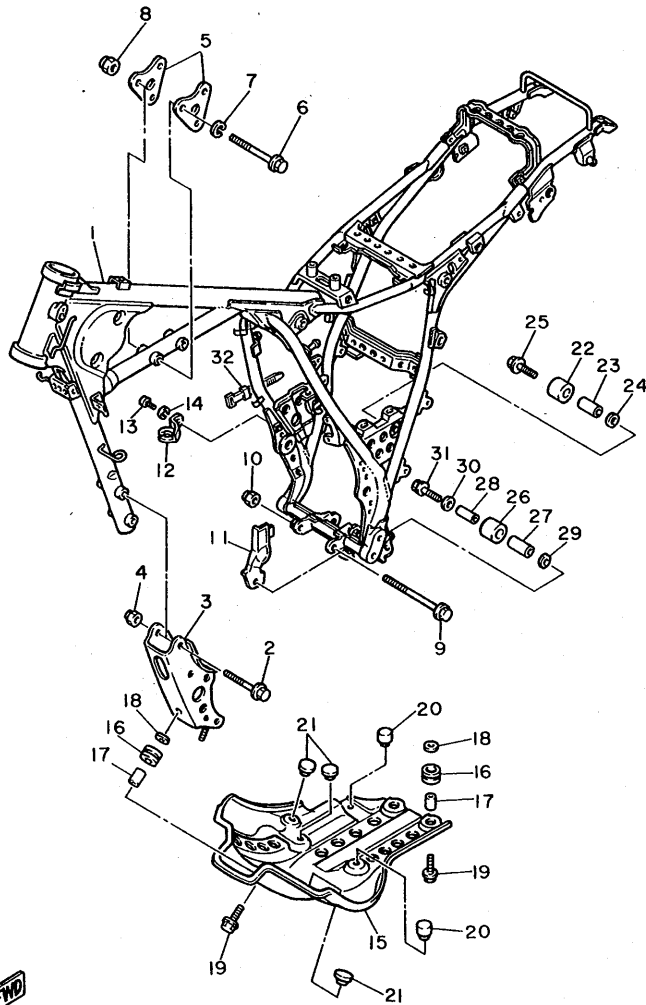
REF. NO.	PART NO.	DESCRIPTION	Q'TY	REMARKS
1	43F-18102-01	SHIFT SHAFT ASSY 2	1	
2	5Y1-18101-01	SHIFT SHAFT ASSY	1	
3	99001-10600	•CIRCLIP	1	
4	90201-12474	WASHER, Plate	1	
5	34K-18120-00	SHIFT LEVER ASSY	1	
6	90508-29629	•SPRING, torsion	1	
7	99001-09600	CIRCLIP	1	
8	93102-12106	OIL SEAL	1	
9	93608-33046	PIN, dowel	1	
10	1VJ-18110-00	SHIFT PEDAL ASSY	1	
11	1W6-18113-00	•COVER, shift Pedal	1	
12	97316-06020	BOLT	1	



1VJ300-6170

C12

FIG. 18 FRAME



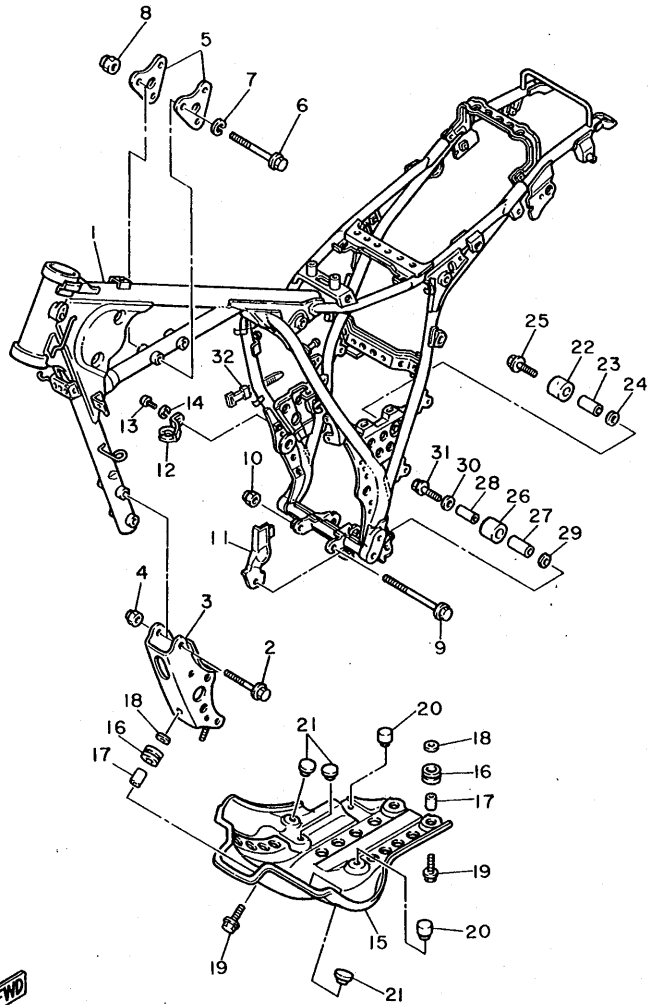
REF. NO.	PART NO.	DESCRIPTION	Q'TY	REMARKS
1	1VJ-21110-00-FH	FRAME COMP.	1	UR fire red
	1VJ-21110-00-NJ	FRAME COMP.	1	UR faraway blue
2	90105-10286	BOLT, washer based	4	
3	1VJ-21316-00-FH	STAY, engine 3	1	UR fire red
	1VJ-21316-00-NJ	STAY, engine 3	1	UR faraway blue
4	90185-10060	NUT, self-locking	4	
5	34L-21315-00	STAY, engine 2	2	
6	97311-10080	BOLT	3	
7	92901-10100	WASHER, spring	3	
8	90185-10060	NUT, self-locking	3	
9	95811-10100	BOLT, flange	1	
10	90185-10060	NUT, self-locking	1	
11	34L-2176E-01	PLATE	1	
12	5Y1-21441-00	BRACKET, stop switch	1	
13	92501-06012	SCREW, Pan head	1	
14	92990-06100	WASHER, spring	1	
15	1VJ-21471-00	PROTECTOR, engine	1	
16	90480-15363	GROMMET	3	
17	90387-065L7	COLLAR	3	
18	90201-066F3	WASHER, Plate	3	
19	95821-06025	BOLT, flange	3	
20	4N0-27114-00	STOPPER, main stand	2	
21	2J5-21732-00	SEAL 1	3	
22	30X-22178-00	TENSIONER	1	
23	4V4-22184-00	BUSH	1	
24	90201-08753	WASHER, Plate	1	
25	95023-08016	BOLT, flange	1	
26	30X-22178-00	TENSIONER	1	



1VJ300-6180

C13

FIG. 18 FRAME



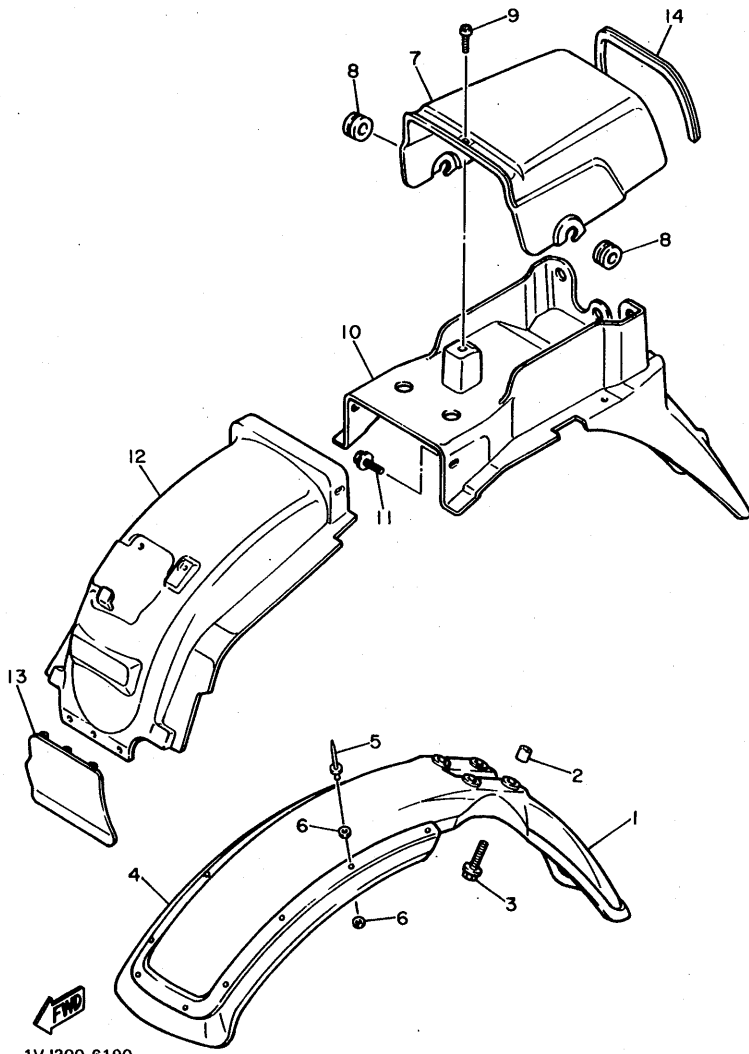
REF. NO.	PART NO.	DESCRIPTION	Q'TY	REMARKS
27	4V4-22184-00	BUSH	1	
28	90387-085E1	COLLAR	1	
29	90201-13409	WASHER, Plate	1	
30	90201-08753	WASHER, Plate	1	
31	90109-08705	BOLT	1	
32	7F6-82591-00	BAND	2	



1VJ300-6180

C14

FIG. 19 FENDER

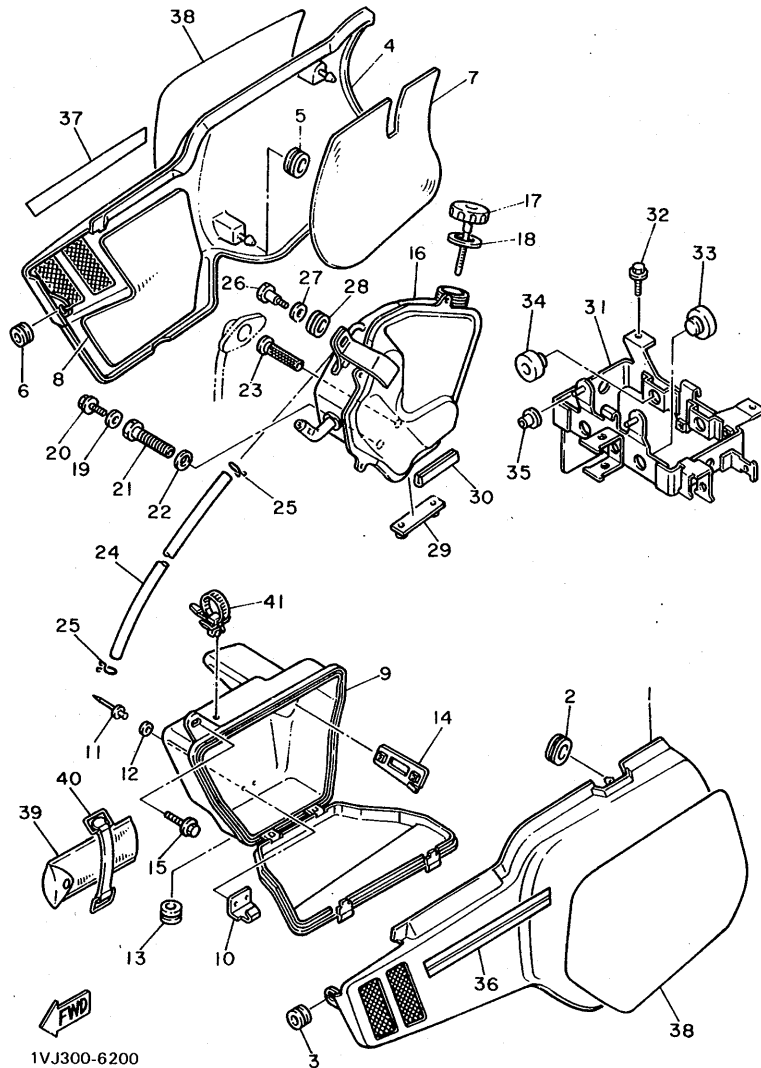


REF. NO.	PART NO.	DESCRIPTION	Q'TY	REMARKS
1	48Y-21511-00	FENDER, front	1	UR white
	1VJ-21511-00	FENDER, front	1	UR faraway blue
2	90387-06681	COLLAR	4	
3	90119-06063	BOLT, with washer	4	
4	30X-21551-50	OVER, fender	1	UR chaPPy red
	1VJ-21551-00	OVER, fender	1	UR Profound blu e
5	90267-32071	RIVET, blind	10	
6	92901-03200	WASHER, Plain	20	
7	1VJ-21611-00	FENDER, rear	1	UR white
	1VJ-21611-10	FENDER, rear	1	UR faraway blue
8	90480-19368	GROMMET	2	
9	90164-06004	SCREW, taPPinG	1	
10	1VJ-21685-00	BRACKET, license	1	
11	90119-06043	BOLT, with washer	4	
12	1VJ-21629-00	GUARD, mud	1	
13	30X-21621-00	FLAP	1	
14	1VJ-28346-00	MOLE 2	1	

1VJ300-6190

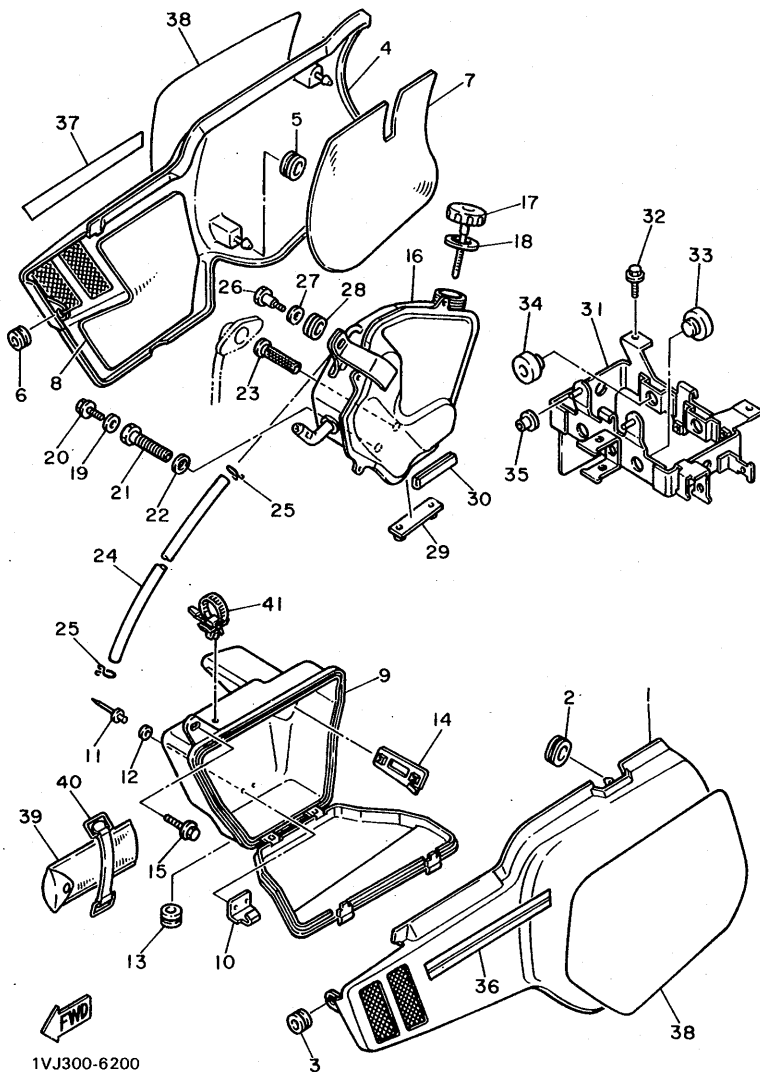
C15

FIG. 20 SIDE COVER



REF. NO.	PART NO.	DESCRIPTION	Q'TY	REMARKS
1	1VJ-21711-00	COVER, side 1	1	UR white
	1VJ-21711-10	COVER, side 1	1	UR faraway blue
2	90480-01141	GROMMET	2	
3	90480-12325	GROMMET	1	
4	1VJ-21721-00-0X	COVER, side 2	1	UR white/red
	1VJ-21721-10-1X	COVER, side 2	1	UR faraway blue/yellow
5	90480-01141	GROMMET	2	
6	90480-12325	GROMMET	1	
7	1VJ-2174A-00	INSULATOR, side cover	1	
8	1VJ-2174A-10	INSULATOR, side cover	1	
9	1VJ-2177A-00	BOX	1	
10	43G-14436-00	HOOK	2	
11	90267-40073	RIVET, blind	4	
12	92990-04200	WASHER, Plain	4	
13	90480-10408	GROMMET	2	
14	1VJ-2172E-00	STAY, side cover 1	1	
15	90119-06043	BOLT, with washer	3	
16	1VJ-21750-00	OIL TANK ASSY	1	
17	1VJ-21761-00	GAUGE, level	1	
18	90430-27124	GASKET	1	
19	90430-08119	GASKET	1	
20	91001-08012	BOLT, flange	1	
21	1VJ-21738-00	BOLT	1	
22	90201-12790	WASHER, Plate	1	
23	1VJ-21756-00	NET, filter	1	
24	90445-11748	HOSE	1	
25	90467-10008	CLIP	2	
26	1VJ-21739-00	BOLT	2	

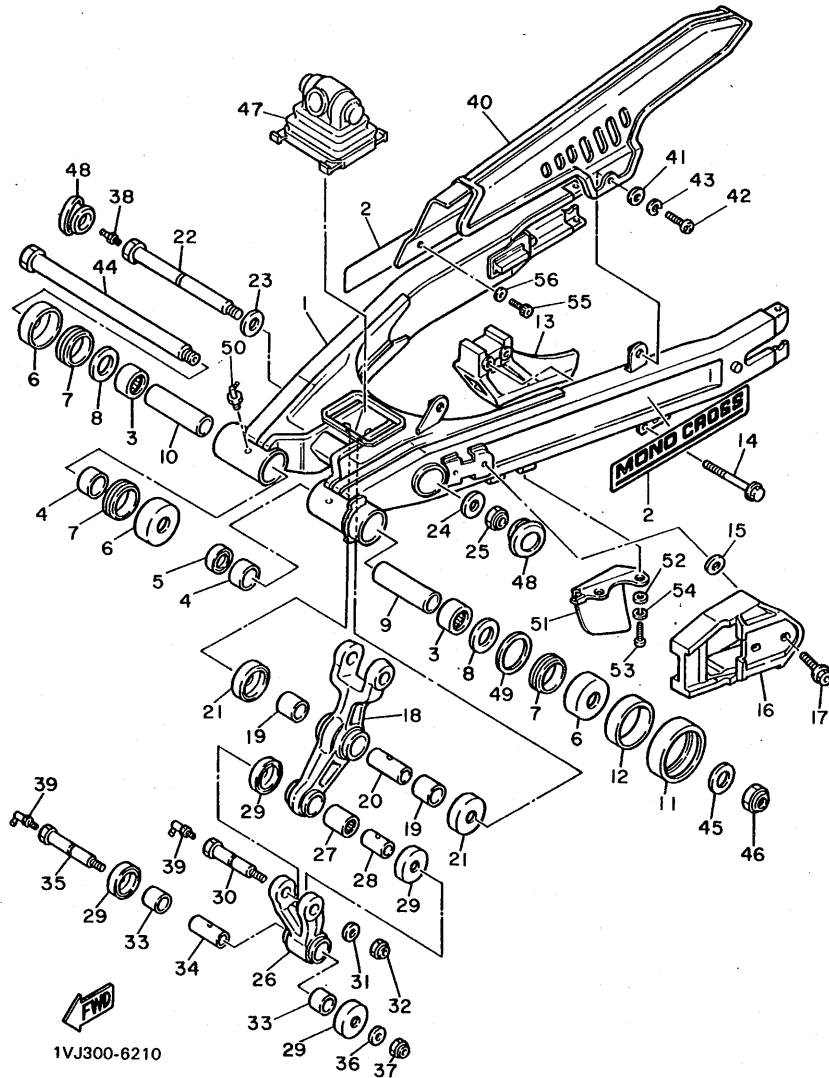
FIG. 20 SIDE COVER



1VJ300-6200

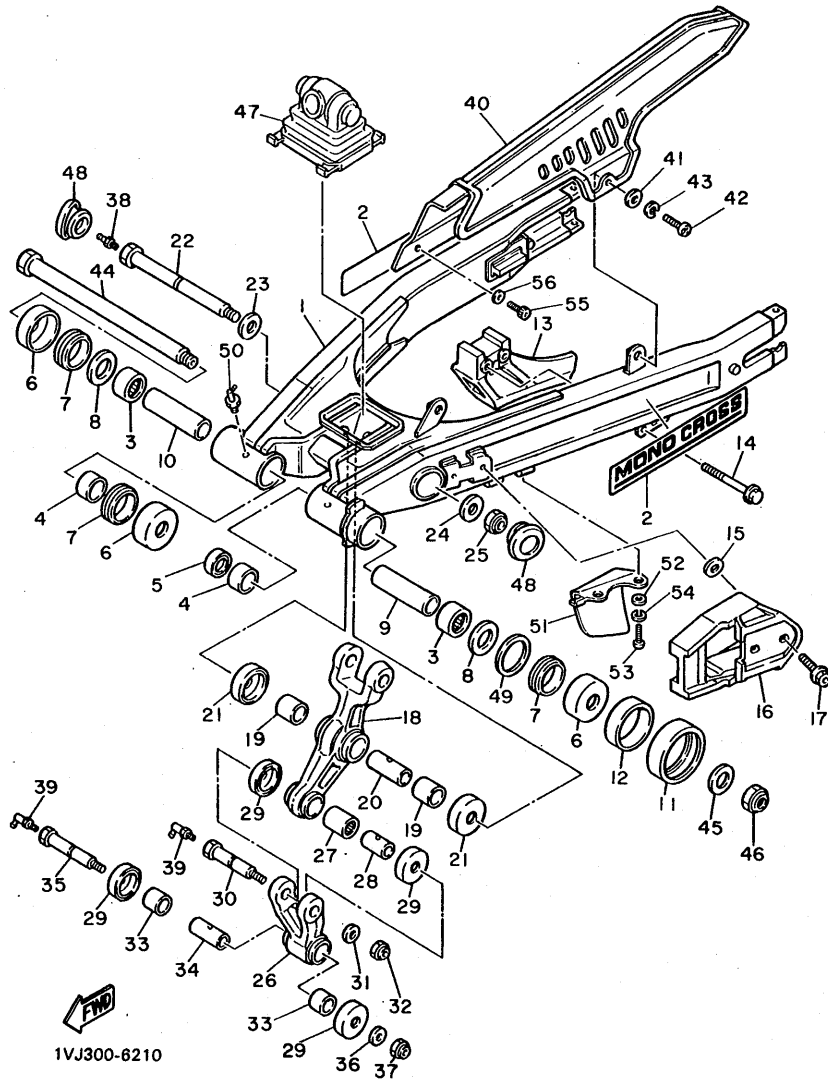
REF. NO.	PART NO.	DESCRIPTION	Q'TY	REMARKS
27	90201-10131	WASHER, Plate	2	
28	90480-13459	GROMMET	2	
29	34K-21778-00	DAMPER, locatin& 1	1	
30	1VJ-21747-00	DAMPER	1	
31	1VJ-21776-00	BOX, battery	1	
32	91002-06010	BOLT, flange	2	
33	371-82121-00	PAD, battery	4	
34	116-27114-00	STOPPER, main stand	2	
35	90480-10408	GROMMET	2	
36	1VJ-21781-00	EMBLEM 1	1	UR for w
	1VJ-21781-10	EMBLEM 1	1	UR for fwb
37	1VJ-21782-00	EMBLEM 2	1	UR for w
	1VJ-21782-10	EMBLEM 2	1	UR for fwb
38	1VJ-21783-00	EMBLEM 3	2	UR for w
	1VJ-21783-10	EMBLEM 3	2	UR for fwb
39	43F-28100-01	TOOL KIT	1	
40	2T4-82131-00	BAND, battery	1	
41	90464-12089	CLAMP	1	

FIG. 21 REAR ARM



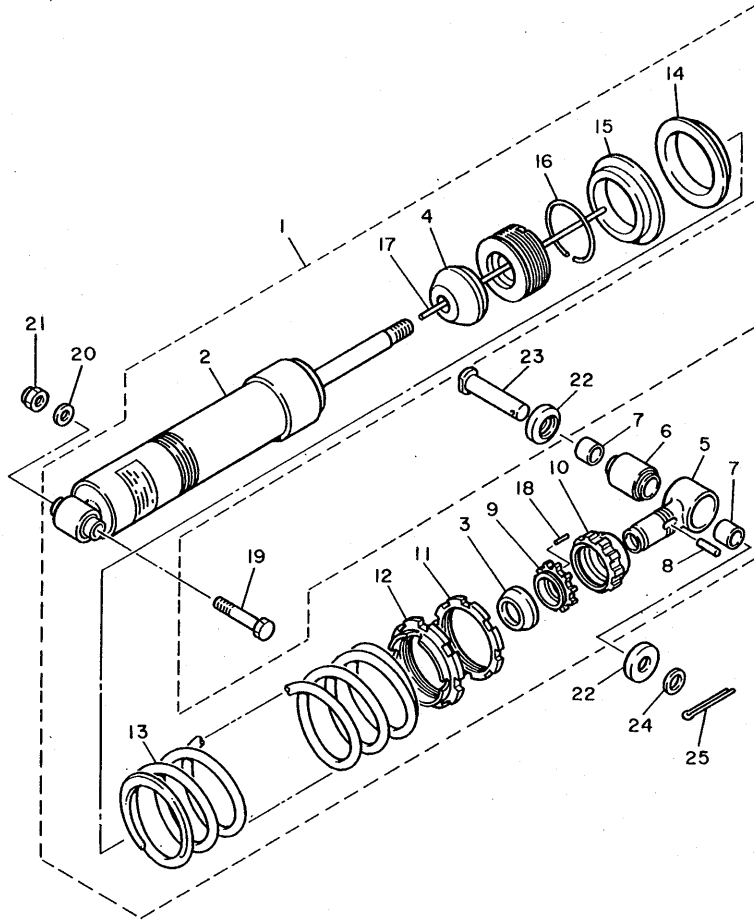
REF. NO.	PART NO.	DESCRIPTION	Q'TY	REMARKS
1	1VJ-22110-01	REAR ARM COMP.	1	
2	1VJ-2218A-00	EMBLEM, rear arm	2	
3	93317-32231	BEARING, cylindrical	2	
4	90380-22111	BUSH, solid	2	
5	93106-22019	OIL SEAL	1	
6	2K6-22128-01	COVER, thrust 1	3	
7	93108-35004	OIL SEAL	3	
8	90201-244A8	WASHER, Plate (1.95T)	2	
9	1VJ-22123-00	BUSH 1	1	
10	34L-22124-00	BUSH 2	1	
11	5X6-22151-10	SEAL, Guard	1	
12	90387-440G3	COLLAR	1	
13	34L-22153-00	GUARD, chain	1	
14	95021-06050	BOLT, flange	2	
15	92990-06200	WASHER, Plain	2	
16	34L-22147-00	PROTECTOR, chain	1	
17	90119-06125	BOLT, hexagon with washer	2	
18	34L-2217A-00	ARM, relay	1	
19	90386-20120	BUSH	2	
20	90380-14095	BUSH, solid	1	
21	34L-22128-00	COVER, thrust 1	2	
22	90109-120A3	BOLT	1	
23	90201-140G9	WASHER, Plate	1	
24	90201-120A5	WASHER, Plate	1	
25	90185-12119	NUT, self-locking	1	
26	34L-2217F-00	ROD, connecting 1	1	
27	93315-31732	BEARING, cylindrical	1	
28	90387-121H1	COLLAR	1	

FIG. 21 REAR ARM



REF. NO.	PART NO.	DESCRIPTION	Q'TY	REMARKS
29	23X-22129-00	COVER, thrust 2	4	
30	90109-10759	BOLT	1	
31	90201-100E9	WASHER, Plate	1	
32	90185-10120	NUT, self-locking	1	
33	90386-20123	BUSH	2	
34	90387-122J6	COLLAR	1	
35	90109-10760	BOLT	1	
36	90201-100F7	WASHER, Plate	1	
37	90185-10120	NUT, self-locking	1	
38	93700-06005	NIPPLE, Grease	1	
39	93700-06004	NIPPLE, Grease	2	
40	34L-22311-01	CASE, chain	1	
41	90201-062A8	WASHER, Plate	2	
42	92506-06016	SCREW, Pan head	2	
43	92906-06100	WASHER, sPring	2	
44	1VJ-22141-00	SHAFT, Pivot	1	
45	90201-15238	WASHER, Plate	1	
46	90185-14070	NUT, self-locking	1	
47	34L-22189-00	BOOT, rubber	1	
48	34L-22117-00	CAP	2	
49	90201-251F6	WASHER, Plate	1	UN
50	93700-06005	NIPPLE, Grease	2	
51	30X-22312-01	CASE, chain 2	1	
52	90209-06223	WASHER	2	
53	92506-06012	SCREW, Pan head	2	
54	92906-06100	WASHER, sPring	2	
55	91311-06060	BOLT	2	
56	92901-06600	WASHER, Plate	2	

FIG. 22 REAR SUSPENSION



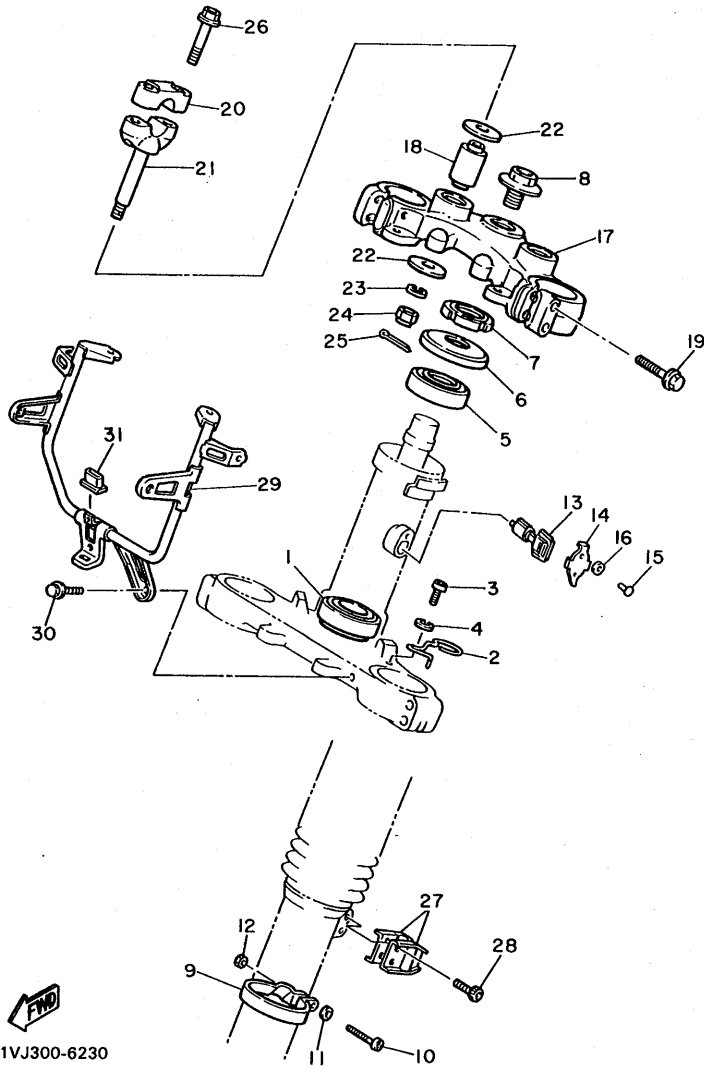

43F300-4210

REF. NO.	PART NO.	DESCRIPTION	Q'TY	REMARKS
1	55W-22210-00-26	SHOCK ABSORBER ASSY, rear	1	UR comPetition yellow
	55W-22210-00-6W	SHOCK ABSORBER ASSY, rear	1	UR native red
2	55W-22401-00	•DAMPER SUB ASSY	1	
3	3R4-22221-01	•COVER	1	
4	50T-22493-00	•BUMP, stoP	1	
5	50T-22409-00	•UPPER BRACKET SUB ASSY	1	
6	34L-22226-00	•BUSH, shock absorber lower	1	
7	90380-14130	•BUSH, solid	2	
8	93604-26132	•PIN, dowel	1	
9	50T-22497-00	•NUT, adjusting	1	
10	50T-22211-00	•COVER	1	
11	50T-22215-00	•RING, cover	1	
12	50T-22213-00	•SEAT, sPring uPPer	1	
13	55W-22212-00-26	•SPRING	1	UR comPetition yellow
	55W-22212-00-6W	•SPRING	1	UR native red
14	50T-22224-00	•GUIDE, sPring 2	1	
15	3Y1-22223-00	•SEAT, sPring lower	1	
16	93440-48079	•CIRCLIP	1	
17	93604-21193	•PIN, dowel	1	
18	93602-11144	•PIN, dowel	1	
19	90101-12498	BOLT	1	
20	90201-12362	WASHER, Plate	1	
21	90185-12080	NUT, self-locking	1	
22	34L-22129-00	COVER, thrust 2	2	
23	90240-14106	PIN, clevis	1	
24	92901-14600	WASHER	1	
25	91401-30025	PIN, cotter	1	

D6

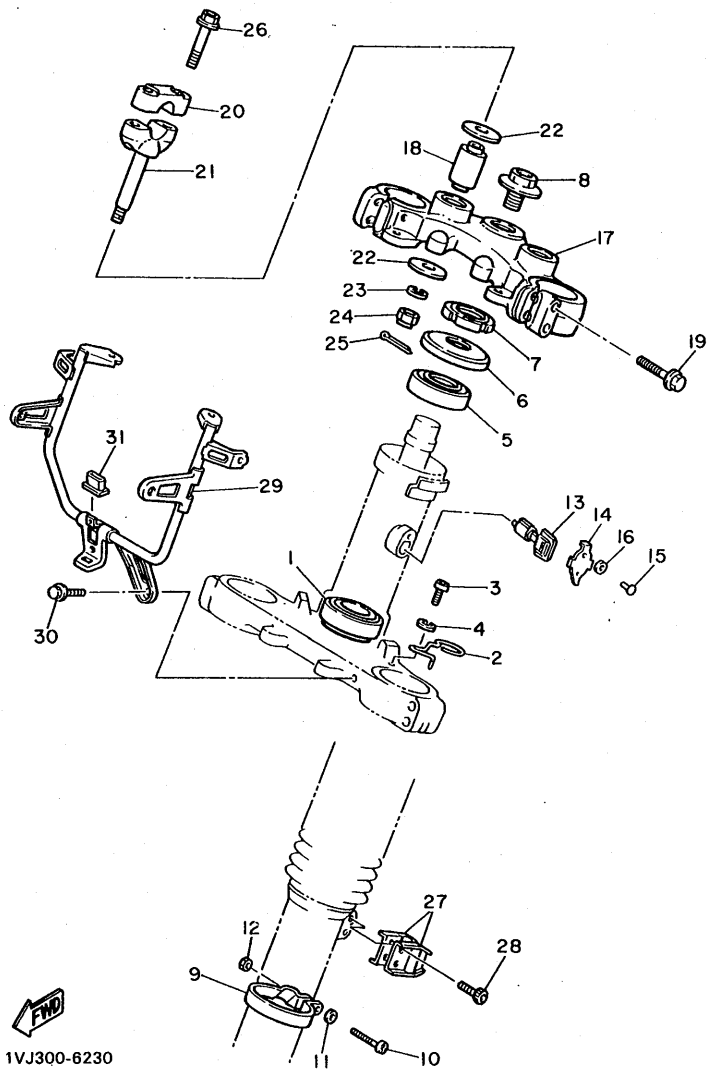
FIG. 23 STEERING

REF. NO.	PART NO.	DESCRIPTION	Q'TY	REMARKS
1	93332-00008	BEARING	1	
2	3Y1-2331E-00	GUIDE, cable	1	
3	92501-06012	SCREW, Pan head	2	
4	92990-06100	WASHER, sPring	2	
5	93332-00023	BEARING	1	
6	1W1-23416-00	COVER, ball race 2	1	
7	90179-25033	NUT	1	
8	90105-14102	BOLT, washer based	1	
9	34L-23318-00	HOLDER, cable 1	1	
10	98501-05020	SCREW, Pan head	1	
11	92901-05600	WASHER, Plate	1	
12	95301-05600	NUT	1	
13	*	STEERING LOCK ASSY	1	LM
14	134-23484-10	CAP, handle lock	1	
15	90269-04003	RIVET	1	
16	90208-04029	WASHER, conical sPring	1	
17	34L-23435-00-98	CROWN, handle	1	low gloss black
18	5A8-23434-00	HOLDER, damPer	2	
19	91026-08040	BOLT, flange	4	
20	1E6-23441-00	HOLDER, handle upper	2	
21	3Y6-23442-00-98	HOLDER, handle lower	2	low gloss black
22	90201-100A1	WASHER, Plate	4	
23	92901-10100	WASHER, sPring	2	
24	95301-10700	NUT	2	
25	90468-12006	CLIP	2	
26	95026-08035	BOLT, flange	4	
27	90465-14242	CLAMP	2	



D7

FIG. 23 STEERING

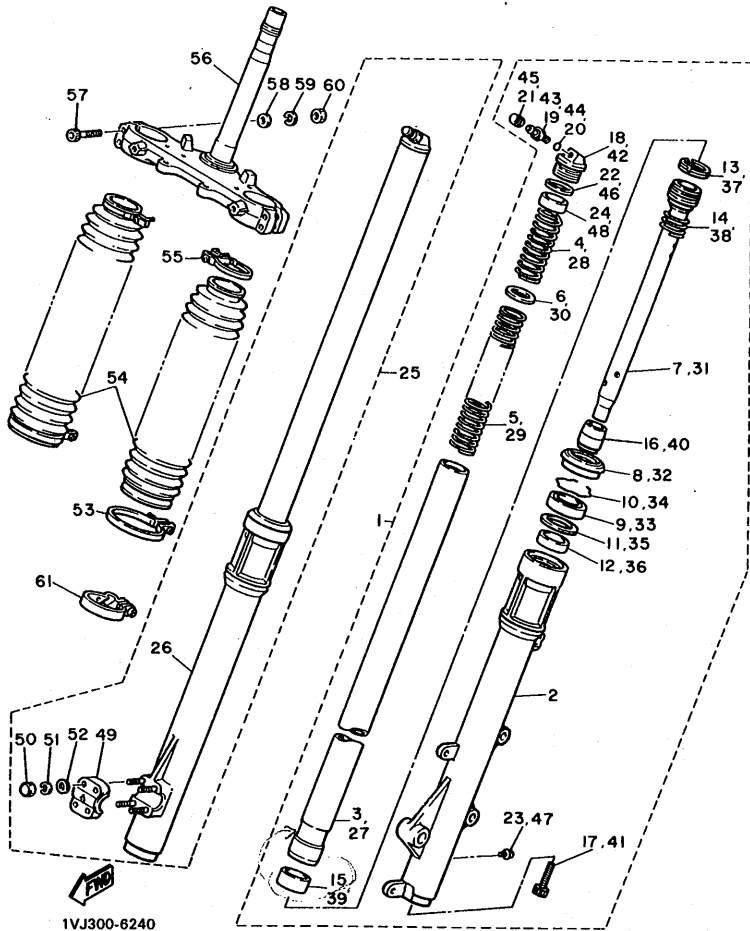


REF. NO.	PART NO.	DESCRIPTION	Q'TY	REMARKS
28	91316-06012	BOLT	2	
29	1VJ-23174-00	STAY, headlight	1	
30	91006-06012	BOLT, flange	1	
31	30X-23445-00	DAMPER	1	

FWD
1VJ300-8230

D8

FIG. 24 FRONT FORK

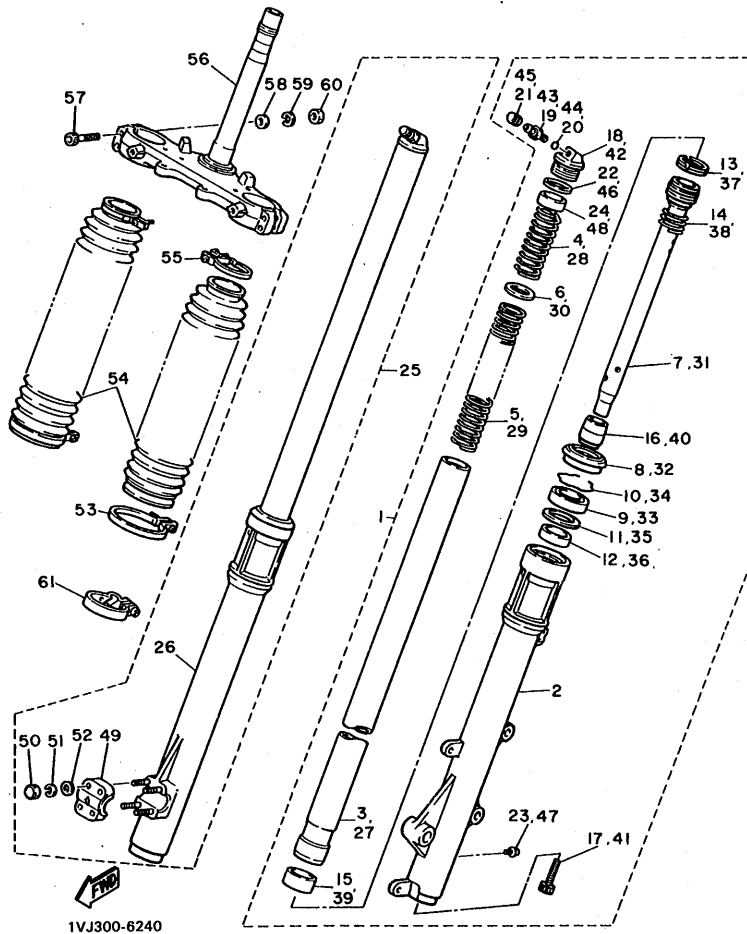


1VJ300-6240

REF. NO.	PART NO.	DESCRIPTION	Q'TY	REMARKS
1	55W-23102-20	FRONT FORK ASSY (L.H)	1	
2	55W-23106-00	•OUTER TUBE COMP. (L.H)	1	
3	50T-23110-00	•INNER TUBE COMP.1	1	
4	55W-23351-20	•SPRING	1	
5	55W-23141-20	•SPRING, front fork	1	
6	34L-23142-00	•SEAT, sPring upper	1	
7	55W-23120-00	•CYLINDER COMP., front fork	1	
8	1LN-23144-00	•SEAL, dust	1	
9	1LN-23145-00	•OIL SEAL	1	
10	34L-23153-00	•RING, snaP	1	
11	34L-23147-00	•O-RING	1	
12	34L-23135-00	•METAL, slide 2	1	
13	55W-23157-00	•RING, Piston	2	
14	34L-23151-00	•SPRING, rebound	1	
15	55W-23171-00	•PISTON, front fork	1	
16	55W-23166-00	•SPACER, oil lock	1	
17	55W-23181-00	•BOLT, hexa&on socket head	1	
18	34L-23111-00	•BOLT, caP	1	
19	5K7-23190-00	•AIR VALVE COMP.	1	
20	3H3-23147-00	•O-RING	1	
21	4V1-23184-L0	•CAP, air valve	1	
22	34L-23114-00	•GASKET	1	
23	1E7-23119-00	•PLUG, drain	1	
24	50T-23118-00	•SPACER	1	
25	55W-23103-20	FRONT FORK ASSY (R.H)	1	
26	55W-23107-00	•OUTER TUBE COMP. (R.H)	1	
27	50T-23110-00	•INNER TUBE COMP.1	1	
28	55W-23351-20	•SPRING	1	

D9

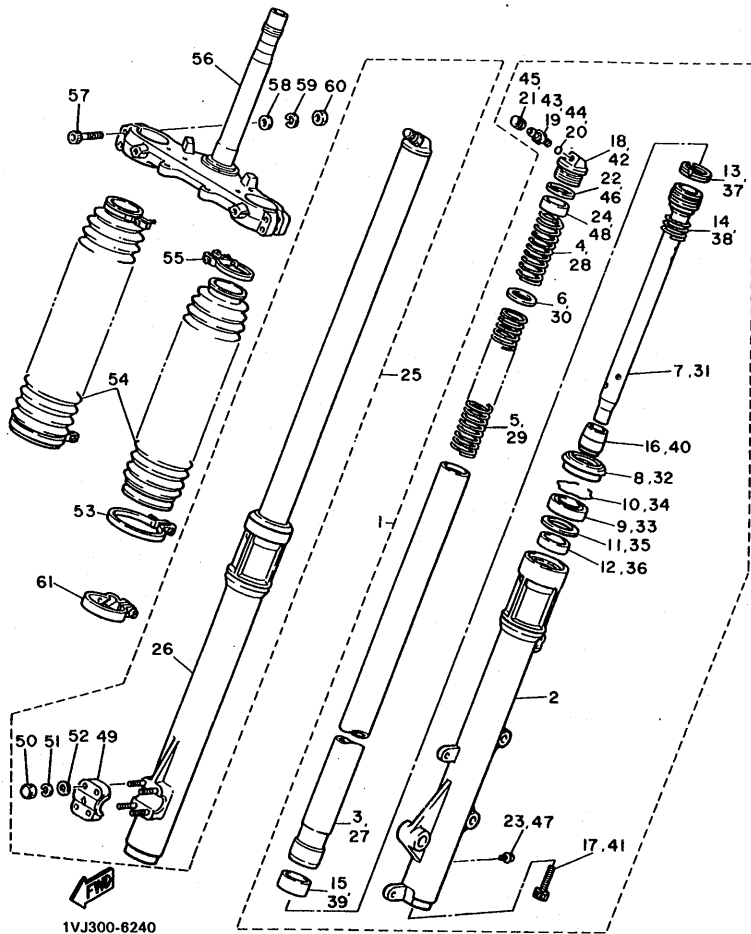
FIG. 24 FRONT FORK



1VJ300-6240

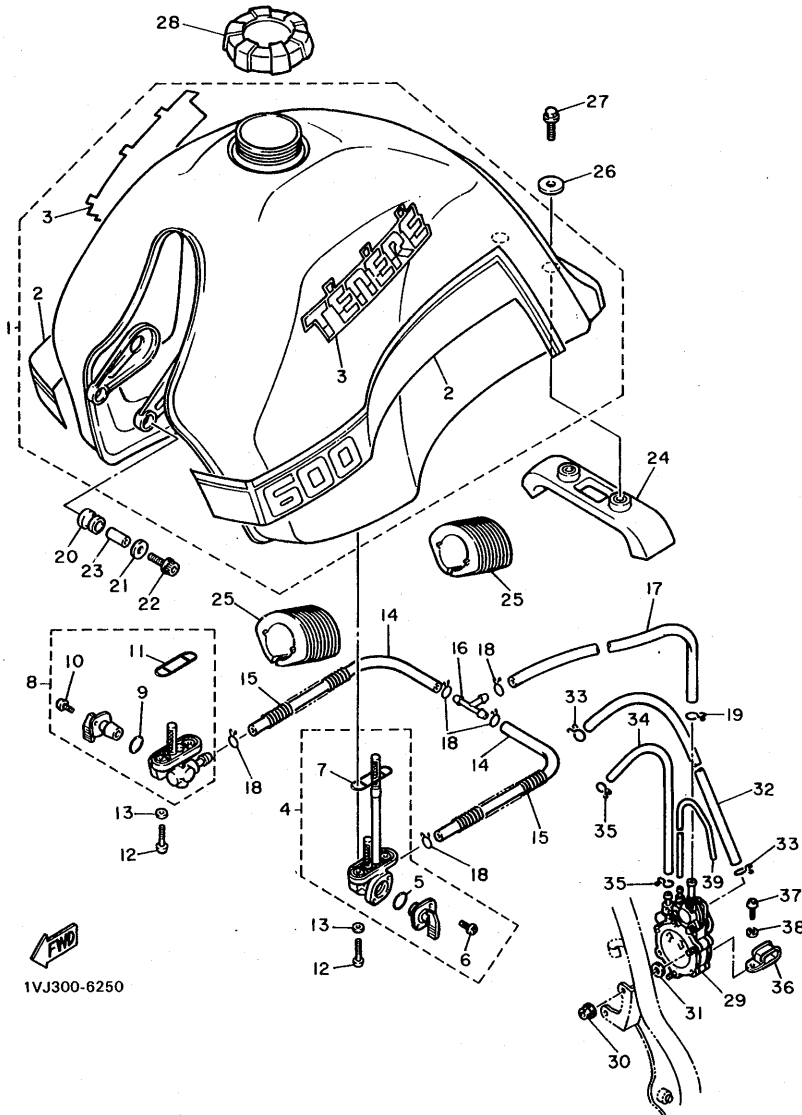
REF. NO.	PART NO.	DESCRIPTION	Q'TY	REMARKS
29	55W-23141-20	•SPRING, front fork	1	
30	34L-23142-00	•SEAT, sPring upper	1	
31	55W-23170-00	•CYLINDER COMP., front fork	1	
32	1LN-23144-00	•SEAL, dust	1	
33	1LN-23145-00	•OIL SEAL	1	
34	34L-23153-00	•RING, snAP	1	
35	34L-23147-00	•O-RING	1	
36	34L-23135-00	•METAL, slide 2	1	
37	55W-23157-00	•RING, Piston	2	
38	34L-23151-00	•SPRING, rebound	1	
39	55W-23171-00	•PISTON, front fork	1	
40	55W-23166-00	•SPACER, oil lock	1	
41	55W-23181-00	•BOLT, hexaGon socket head	1	
42	34L-23111-00	•BOLT, caP	1	
43	5K7-23190-00	•AIR VALVE COMP.	1	
44	3H3-23147-00	•O-RING	1	
45	4V1-23184-L0	•CAP, air valve	1	
46	34L-23114-00	•GASKET	1	
47	1E7-23119-00	•PLUG, drain	1	
48	50T-23118-00	•SPACER	1	
49	34L-23167-00	•HOLDER, axle	1	
50	95301-06800	•NUT, crown	4	
51	92990-06100	•WASHER, sPring	4	
52	92901-06200	•WASHER, Plain	4	
53	34L-23489-00	BAND	2	
54	34L-23191-00	BOOT	2	UR comPetition yellow
	34L-23191-10	BOOT	2	UR chaPPy red
55	34L-23192-00	BAND	2	

FIG. 24 FRONT FORK



REF. NO.	PART NO.	DESCRIPTION	Q'TY	REMARKS
56	55W-23340-20	UNDER BRACKET COMP.	1	
57	34L-23181-00	BOLT, hexa&on socket head	4	
58	92901-08600	WASHER, Plate	4	
59	92990-08100	WASHER, sPring	4	
60	95311-08600	NUT	4	
61	36X-2331E-00	GUIDE, cable	1	

FIG. 25 FUEL TANK

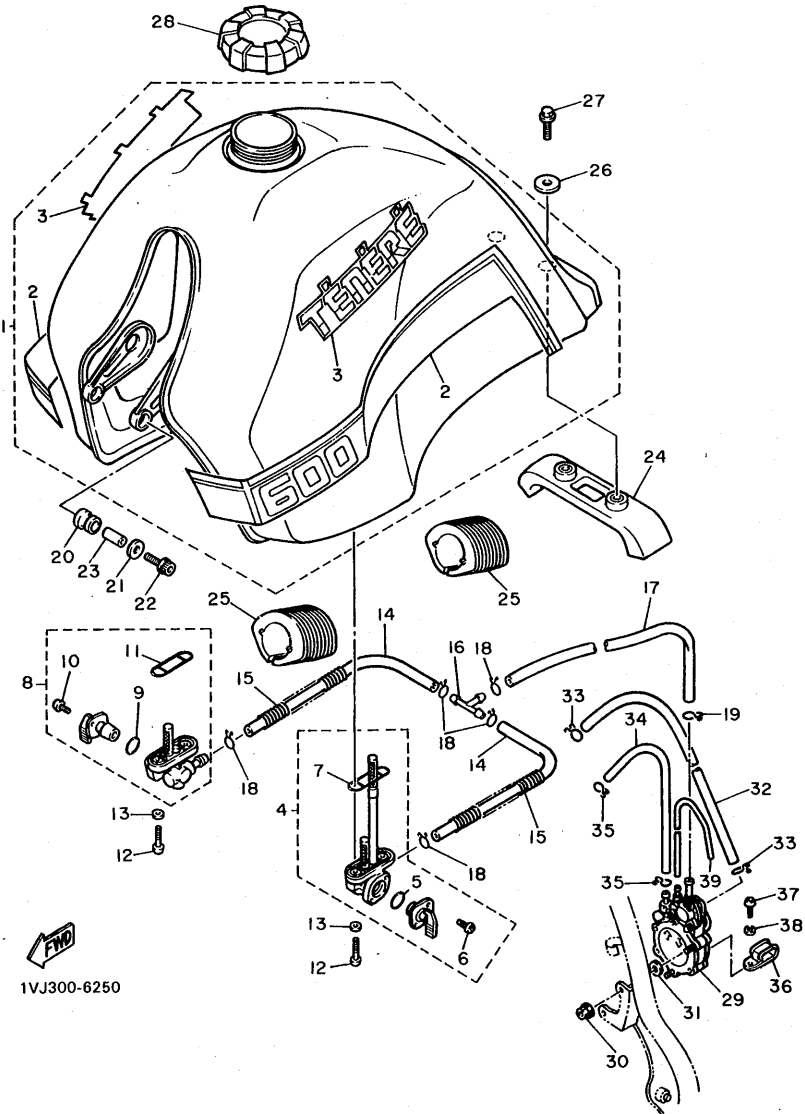


1VJ300-6250

D12

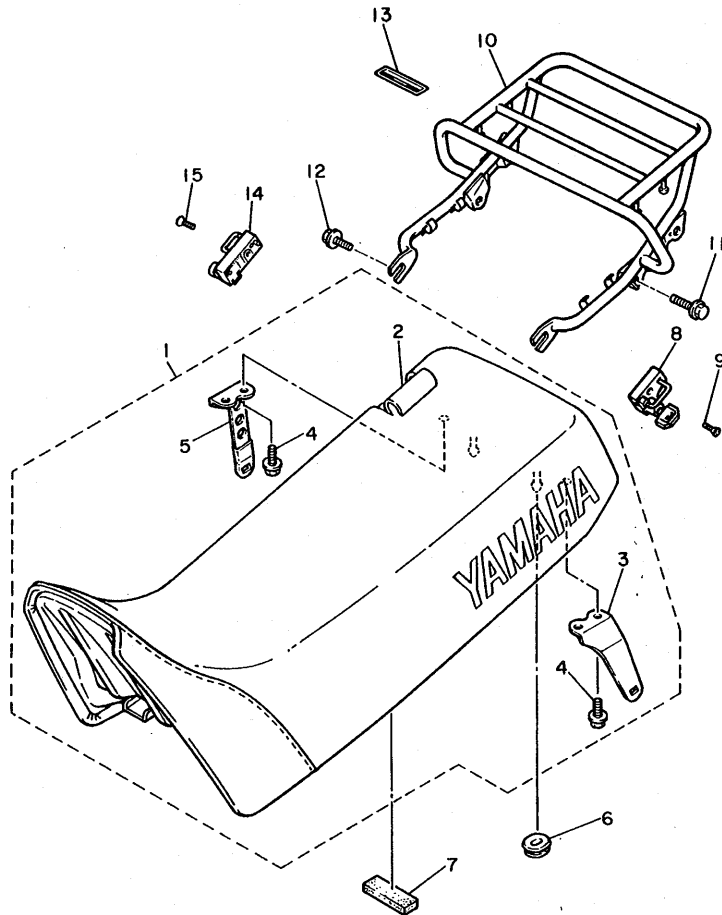
REF. NO.	PART NO.	DESCRIPTION	Q'TY	REMARKS
1	1VJ-24110-00-01	FUEL TANK COMP.	1	UR white
	1VJ-24110-00-02	FUEL TANK COMP.	1	UR faraway blue
2	1VJ-24240-00	•GRAPHIC SET	1	UR for w
	1VJ-24240-10	•GRAPHIC SET	1	UR for fwb
3	1VJ-24161-00	•EMBLEM 1	2	UR for w
	1VJ-24161-10	•EMBLEM 1	2	UR for fwb
4	1VJ-24500-00	FUEL COCK ASSY 1	1	
5	4X8-24534-00	•SEAL, cock	1	
6	97801-03008	•SCREW, Pan head	2	
7	4X8-24512-00	•GASKET	1	
8	1VJ-24500-10	FUEL COCK ASSY 1	1	
9	4X8-24534-00	•SEAL, cock	1	
10	97801-03008	•SCREW, Pan head	2	
11	4X8-24512-00	•GASKET	1	
12	90149-06011	SCREW	4	
13	90202-06010	WASHER, Plate	4	
14	90445-116E0	HOSE	2	
15	90501-08486	SPRING, compression	2	
16	90413-07023	WAY 3	1	
17	90445-11663	HOSE	1	
18	90467-10008	CLIP	5	
19	90467-11009	CLIP	1	
20	90480-18354	GROMMET	2	
21	90201-065F3	WASHER, Plate	2	
22	90110-06138	BOLT, hexagon socket head	2	
23	90387-06387	COLLAR	2	
24	1VJ-24182-00	DAMPER, locating 2	1	
25	34L-24183-00	DAMPER, locating 3	2	

FIG. 25 FUEL TANK



REF. NO.	PART NO.	DESCRIPTION	Q'TY	REMARKS
26	90201-06568	WASHER, Plate	2	
27	95801-06012	BOLT, flange	2	
28	34L-24610-02	CAP ASSY	1	
29	1VJ-13910-00	FUEL PUMP ASSY	1	
30	95701-05500	NUT, flange	2	
31	90201-05029	WASHER, Plate	2	
32	90445-10144	HOSE	1	
33	90467-08017	CLIP	2	
34	90445-10638	HOSE	1	
35	90467-09006	CLIP	2	
36	90461-06M00	CLAMP	1	
37	92501-06010	SCREW, Pan head	1	
38	92990-06100	WASHER, Spring	1	
39	90445-05026	HOSE	1	

FIG. 26 SEAT. CARRIER



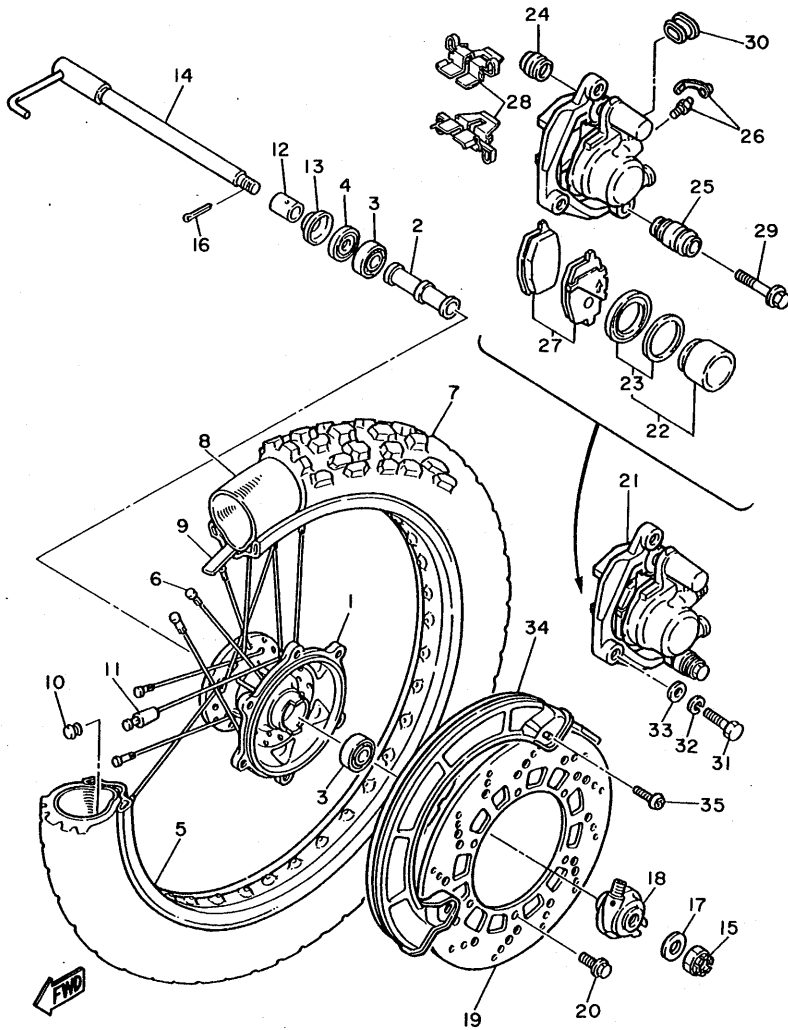
REF. NO.	PART NO.	DESCRIPTION	Q'TY	REMARKS
1	1VJ-24770-30	SEMI-DOUBLE SEAT ASSY	1	UR chaPPy red
	1VJ-24770-20	SEMI-DOUBLE SEAT ASSY	1	UR Pastel mineral blue
2	1VJ-24731-10	•COVER, seat	1	UR chaPPy red
	1VJ-24731-00	•COVER, seat	1	UR Pastel mineral blue
3	1VJ-24738-00	•BRACKET, seat	1	
4	95021-06012	•BOLT, flange	2	
5	1VJ-24748-00	•BRACKET, seat	1	
6	90480-01451	GROMMET	2	
7	1VJ-24723-00	DAMPER, seat	1	
8	5A8-21308-00	HELMET HANGER ASSY	1	
9	92706-06025	SCREW, flat head	1	
10	1VJ-24830-00	SUB CARRIER ASSY	1	
11	91026-08020	BOLT, flange	2	
12	91026-06012	BOLT, flange	2	
13	55V-24877-00	LABEL, caution	1	
14	1VJ-24780-00	SEAT LOCK ASSY	1	
15	92706-06025	SCREW, flat head	1	



1VJ300-6260

D14

FIG. 27 FRONT WHEEL

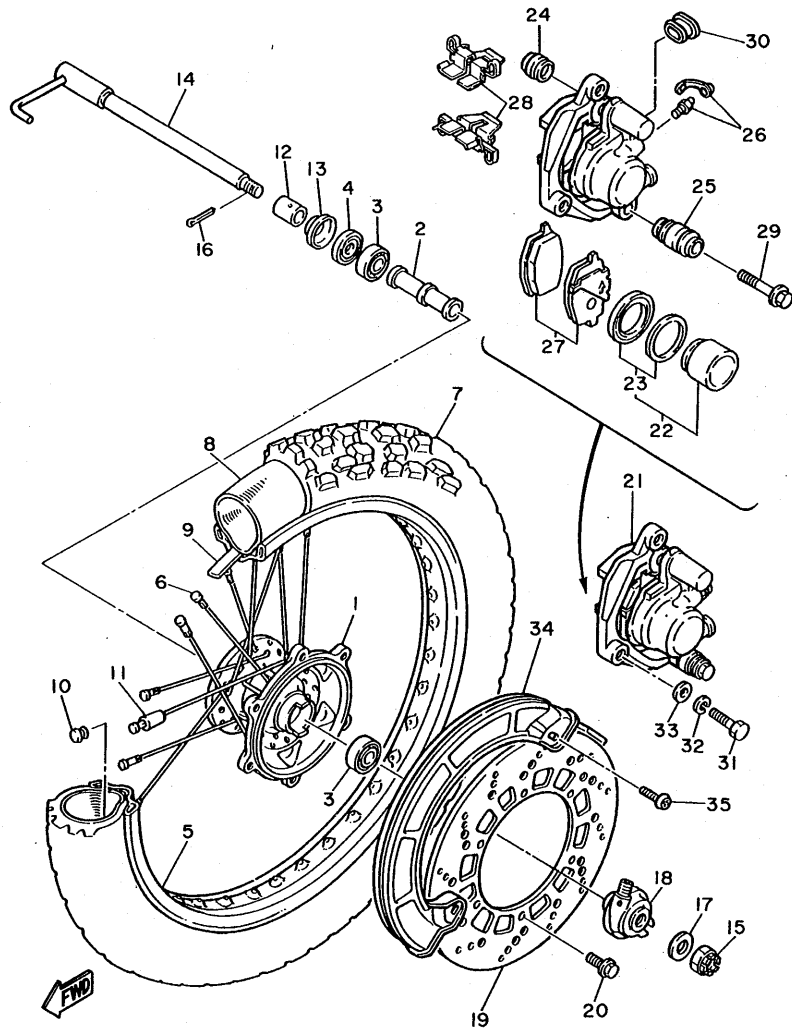


REF. NO.	PART NO.	DESCRIPTION	Q'TY	REMARKS
1	34L-25111-00-98	HUB, front	1	low gloss black
2	90560-15240	SPACER	1	
3	93306-20209	BEARING (B6202)	2	
4	93102-20281	OIL SEAL	1	
5	94416-21396	RIM (1.60-21)	1	UR Gold/takasa
	94416-21367	RIM (1.60-21)	1	UR Gold/daido
6	34L-25104-00	SPOKE SET, front	1	
7	94130-214F8	TIRE (3.00-21)	1	UR dunlop
	94130-211N0	TIRE (3.00-21)	1	UR bridgestone
8	94227-21123	TUBE (2.75-21)	1	bridgestone
9	94330-21084	BAND, rim (3.00-21)	1	bridgestone
10	90480-10068	GROMMET	1	
11	156-25398-00	BALANCER, wheel	1	UN
12	90387-152J3	COLLAR	1	
13	322-25118-00	COVER, hub dust	1	
14	43F-25181-00	AXLE, wheel	1	
15	90171-14020	NUT, castle	1	
16	91401-30030	PIN, cotter	1	
17	90201-15785	WASHER, Plate	1	
18	34L-25190-00	GEAR UNIT ASSY	1	
19	55W-25831-00	DISC, brake (RIGHT)	1	
20	90109-06757	BOLT	6	
21	1VJ-25810-10	CALIPER ASSY (LEFT)	1	titanic Gray metallic
22	55W-W0057-00	•PISTON ASSY, caliPer	1	
23	55W-W0047-00	••CALIPER SEAL KIT	1	
24	5R2-25917-00	•BOOT, caliPer	1	
25	34X-25937-00	•BOOT 2	1	
26	51L-W0048-00	•BREED SCREW KIT	1	

1VJ300-6270

D15

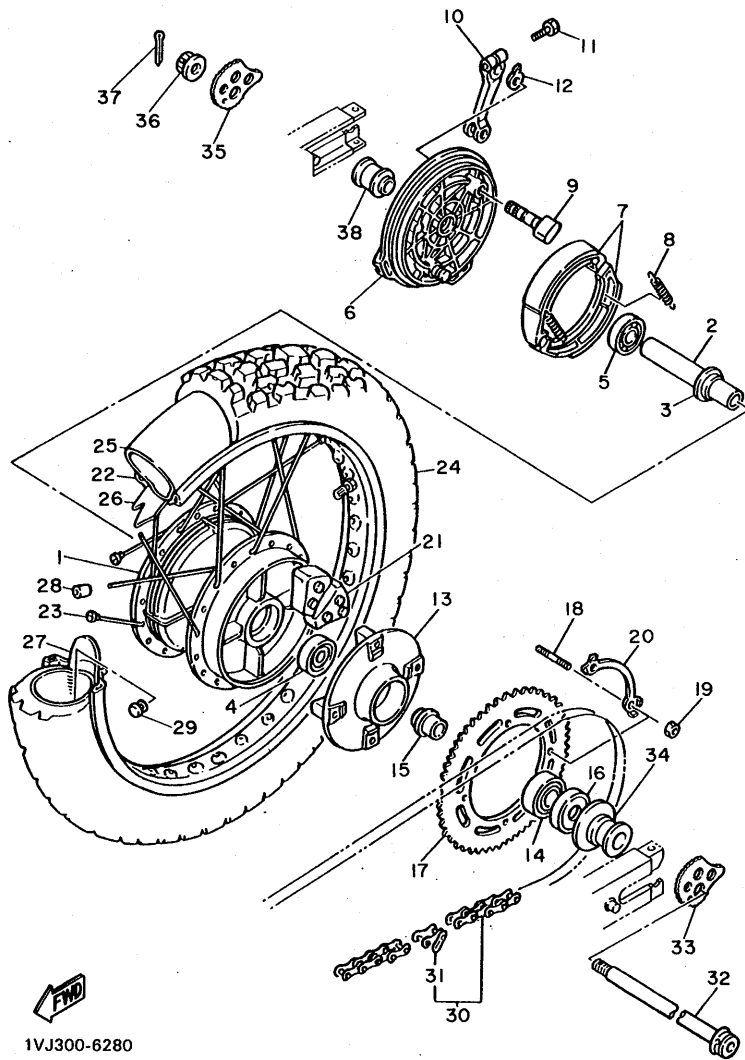
FIG. 27 FRONT WHEEL



1VJ300-6270

REF. NO.	PART NO.	DESCRIPTION	Q'TY	REMARKS
27	55W-W0045-00	•BRAKE PAD KIT, front	1	
28	55W-25919-00	•SUPPORT, Pad	2	
29	34X-25926-00	•BOLT	1	
30	34X-25845-00	•CAP, indicator	1	
31	90101-10308	BOLT	2	
32	92901-10100	WASHER, sPrin&	2	
33	92901-10200	WASHER, Plain	2	
34	1VJ-25715-00	COVER 1	1	UR chaPPy red
	1VJ-25715-10	COVER 1	1	UR Pastel mine- ral blue
35	90149-06194	SCREW	2	

FIG. 28 REAR WHEEL

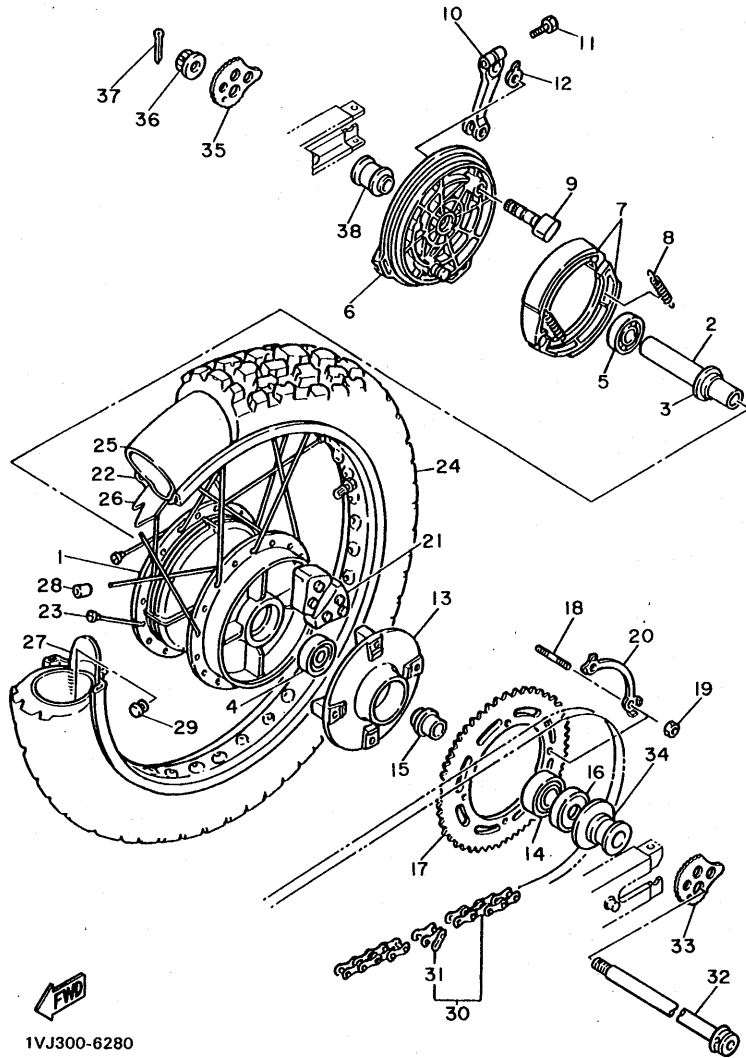


REF. NO.	PART NO.	DESCRIPTION	Q'TY	REMARKS
1	5Y1-25311-00-98	HUB, rear	1	low gloss black
2	5X4-25317-00	SPACER, bearing	1	
3	146-25315-00	FLANGE, spacer	1	
4	93306-20316	BEARING (B6203)	1	
5	93306-20310	BEARING (B6203DU)	1	
6	34L-25321-00-98	PLATE, brake shoe	1	low gloss black
7	5Y1-W2536-00	BRAKE SHOE SET	1	
8	90507-20002	SPRING, tension	2	
9	5Y1-25151-00	CAMSHAFT	1	
10	34L-25355-00	LEVER, camshaft	1	
11	90101-06291	BOLT	1	
12	4G0-2533A-00	PLATE, indicator	1	
13	1VJ-25366-00-98	CLUTCH, hub	1	low gloss black
14	93306-30423	BEARING	1	
15	1VJ-25377-00	COLLAR, wheel	1	
16	93102-30072	OIL SEAL	1	
17	43F-25440-50-33	SPROCKET, driven (40T)	1	yamaha black
18	90116-10348	BOLT, stud	4	
19	90170-10219	NUT	4	
20	5Y1-25412-00	WASHER	2	
21	5Y1-25364-00	DAMPER	4	
22	94425-18421	RIM (2.50-18)	1	UR Gold/takasa
	94425-18371	RIM (2.50-18)	1	UR Gold/daido
23	34L-25304-00	SPOKE SET, rear	1	
24	94146-185F0	TIRE (4.60-18)	1	UR dunlop
	94146-181N2	TIRE (4.60-18)	1	UR bridgestone
25	94212-18188	TUBE (120/90-18)	1	dunlop
26	94340-18086	BAND, rim (4.00-18)	1	bridgestone

1VJ300-6280

E3

FIG. 28 REAR WHEEL



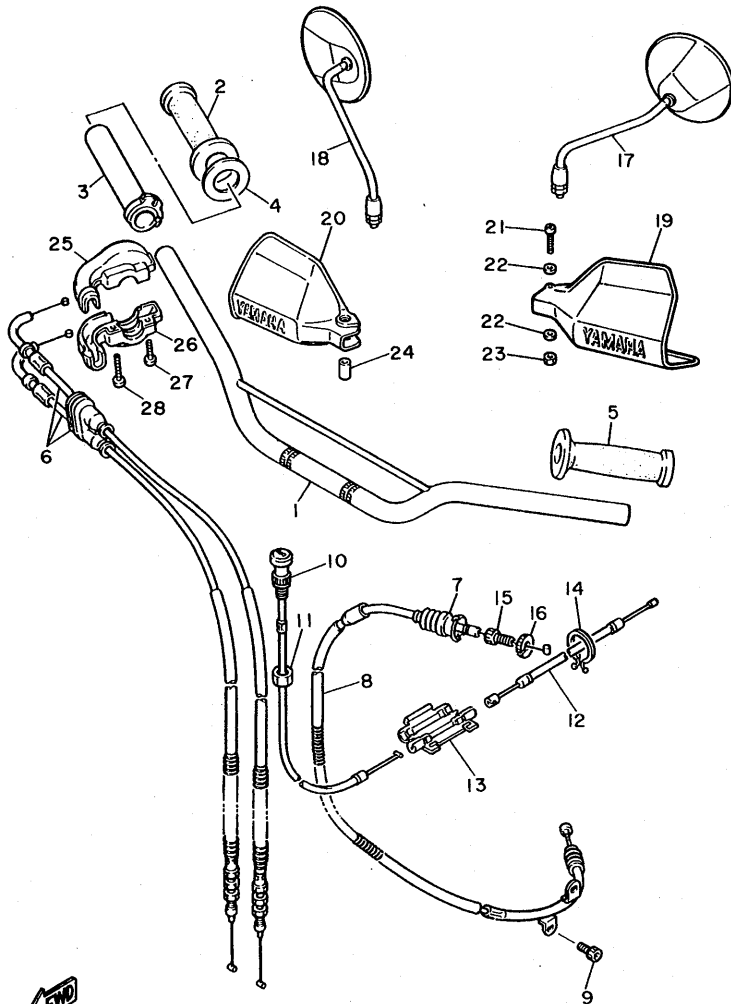
REF. NO.	PART NO.	DESCRIPTION	Q'TY	REMARKS
27	2X5-25394-00	SPACER, bead	1	
28	156-25398-00	BALANCER, wheel	1	UN
29	90480-10068	GROMMET	1	
30	94580-40104	CHAIN (D.I.D 520V-S-104L)	1	
31	94680-50011	.JOINT, chain (D.I.D.50HDS)	1	
32	1VJ-25381-00	AXLE, wheel	1	
33	3Y1-25389-00	PULLER, chain 2	1	
34	1VJ-25383-00	COLLAR, wheel	1	
35	3Y1-25388-01	PULLER, chain 1	1	
36	90171-16024	NUT, castle	1	
37	91401-30030	PIN, cotter	1	
38	90387-177N2	COLLAR	1	



1VJ300-6280

E4

FIG. 29 STEERING HANDLE. CABLE



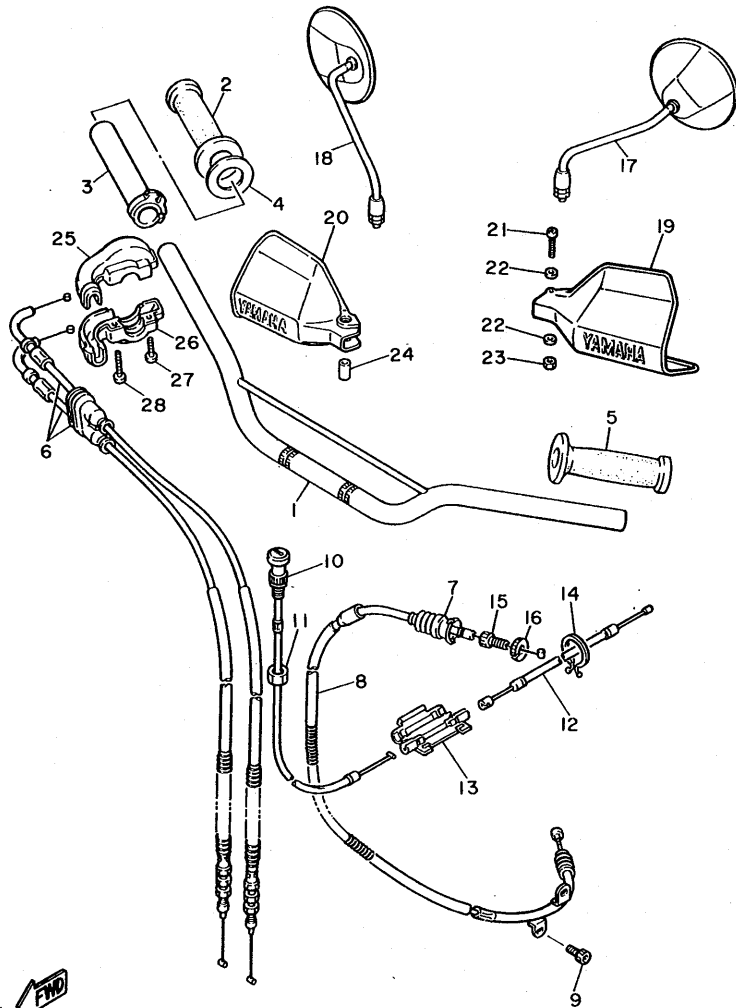
REF. NO.	PART NO.	DESCRIPTION	Q'TY	REMARKS
1	34K-26111-00	HANDLEBAR	1	
2	1VJ-26242-00	GRIP (R.H)	1	
3	3Y1-26243-01	TUBE, throttle guide	1	
4	3Y1-26249-00	RING, leaf	1	
5	1VJ-26241-00	GRIP (L.H)	1	
6	1VJ-26302-00	THROTTLE CABLE ASSY	1	
7	1E6-26342-00	BOOT, cable	1	
8	1VJ-26335-00	CABLE, clutch	1	
9	91316-06010	BOLT	1	
10	1VJ-26331-00	CABLE, starter 1	1	
11	1VJ-26333-00	NUT	1	
12	1JK-26334-00	CABLE, starter 2	1	
13	53L-26261-01	CONNECTOR, cable	1	
14	90464-16039	CLAMP	1	
15	90123-08046	BOLT	1	
16	90179-08148	NUT	1	
17	55V-26280-00	BACK MIRRDR ASSY (LEFT)	1	
18	55V-26290-00	BACK MIRRDR ASSY (RIGHT)	1	
19	1LN-26141-00	GUARD, brush 1	1	UR white
	1VJ-26141-00	GUARD, brush 1	1	UR faraway blue
20	1LN-26142-00	GUARD, brush 2	1	UR white
	1VJ-26142-00	GUARD, brush 2	1	UR faraway blue
21	92501-06035	SCREW, Pan head	1	
22	92901-06600	WASHER, Plate	2	
23	95301-06700	NUT	1	
24	90387-06500	COLLAR	1	
25	34K-26281-00	CAP, grip upper	1	
26	1VJ-26282-00	CAP, grip lower	1	



1VJ300-6290

E5

FIG. 29 STEERING HANDLE. CABLE



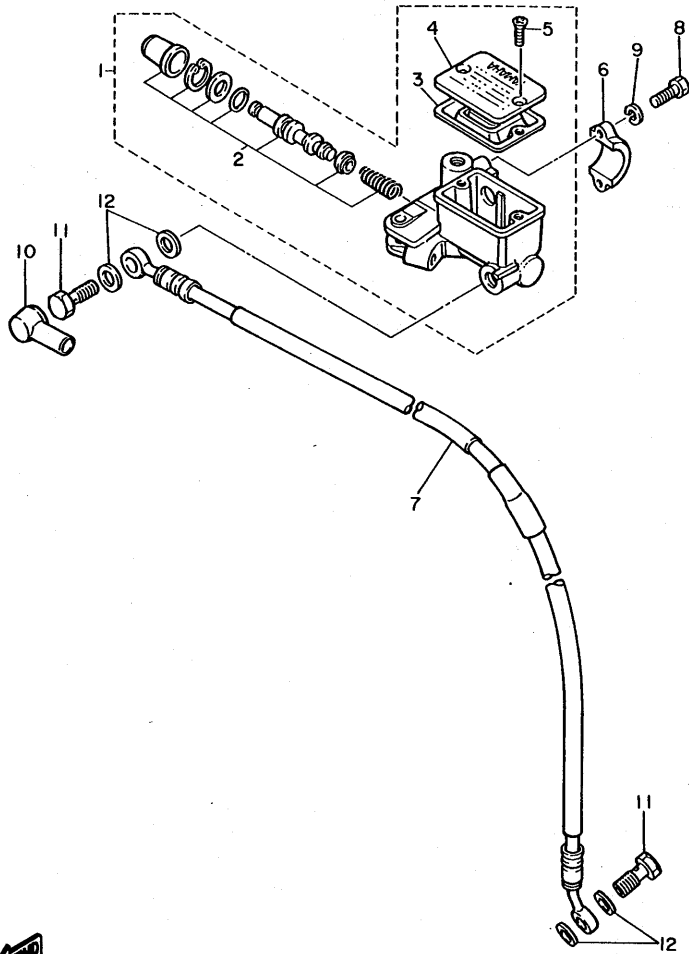
REF. NO.	PART NO.	DESCRIPTION	Q'TY	REMARKS
27	98506-05020	SCREW, Pan head	1	
28	98506-05025	SCREW, Pan head	1	



1VJ300-6290

E6

FIG. 30 FRONT MASTER CYLINDER



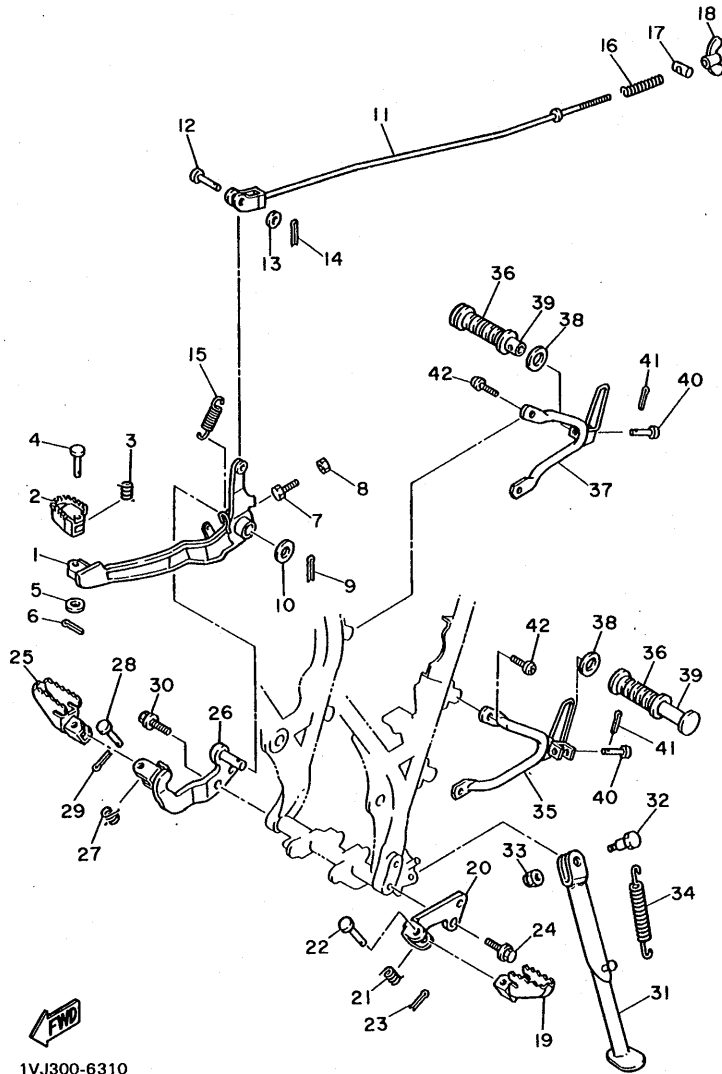
REF. NO.	PART NO.	DESCRIPTION	Q'TY	REMARKS
1	59X-25850-00	MASTER CYLINDER ASSY	1	
2	59X-W0041-00	.CYLINDER KIT, master	1	
3	55U-25854-00	.DIAPHRAGM, reservoir	1	
4	55U-25852-00	.CAP, reservoir	1	
5	98506-04012	.SCREW, Pan head	2	
6	56A-25867-00	BRACKET, master cylinder	1	
7	1VJ-25872-00	HOSE, brake 1	1	
8	97326-06025	BOLT	2	
9	92906-06100	WASHER, sPring	2	
10	4L0-25862-00	BOOT, master cylinder	1	
11	90401-10034	BOLT, union	2	
12	90201-10118	WASHER, Plate	4	



1VJ300-6300

E7

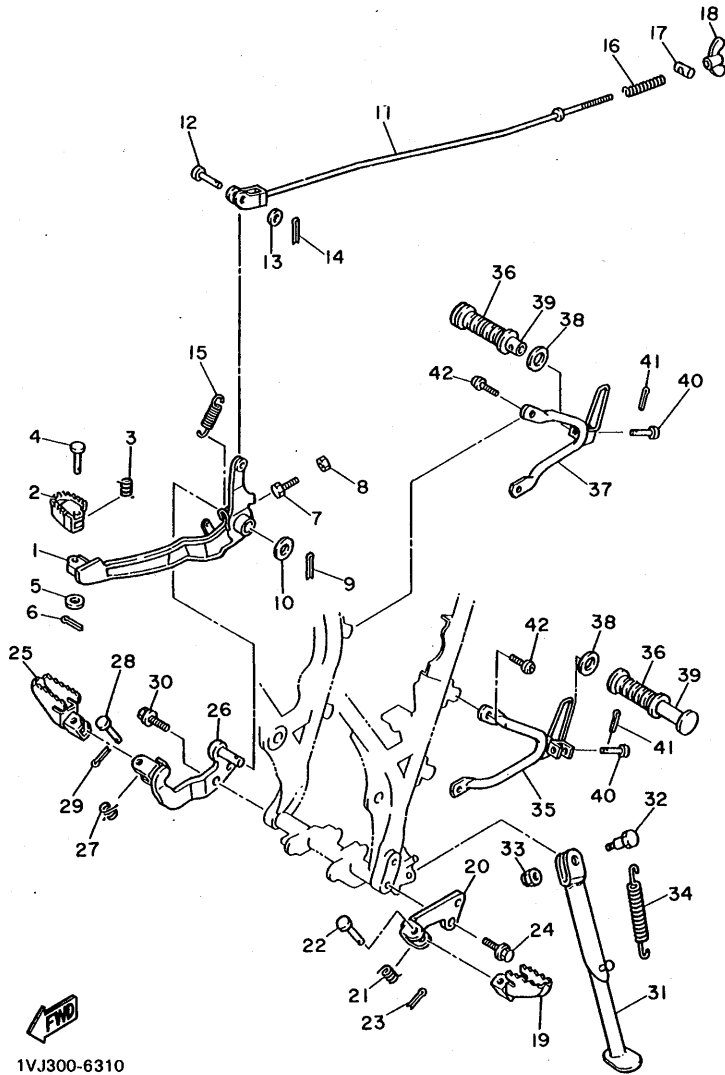
FIG. 31 STAND. FOOTREST



1VJ300-6310

REF. NO.	PART NO.	DESCRIPTION	Q'TY	REMARKS
1	1VJ-27211-00-90	PEDAL, brake	1	
2	55V-27242-00	PEDAL, brake	1	
3	90508-14352	SPRING, torsion	1	
4	91701-06022	PIN, clevis	1	
5	92901-06600	WASHER, Plate	1	
6	91401-20015	PIN, cotter	1	
7	90101-06288	BOLT	1	
8	95301-06600	NUT	1	
9	91401-30020	PIN, cotter	1	
10	90201-14215	WASHER, Plate	1	
11	1VJ-27231-00	RDD, brake	1	
12	90240-06040	PIN, clevis	1	
13	92901-06200	WASHER, Plain	1	
14	91401-20015	PIN, cotter	1	
15	90506-18305	SPRING, tension	1	
16	90501-10245	SPRING, compression	1	
17	90249-12008	PIN	1	
18	90175-06013	NUT, wing	1	
19	22W-27411-00-90	FOOTREST 1	1	uni chrome (black)
20	34L-27412-00-R4	BRACKET, footrest 1	1	black
21	90508-20023	SPRING, torsion	1	
22	91701-08038	PIN, clevis	1	
23	91401-25015	PIN, cotter	1	
24	91021-10025	BOLT, flange	2	
25	22W-27421-00-90	FOOTREST 2	1	uni chrome (black)
26	34L-27422-01-R4	BRACKET, footrest 2	1	
27	90508-20023	SPRING, torsion	1	
28	91701-08038	PIN, clevis	1	

FIG. 31 STAND. FOOTREST



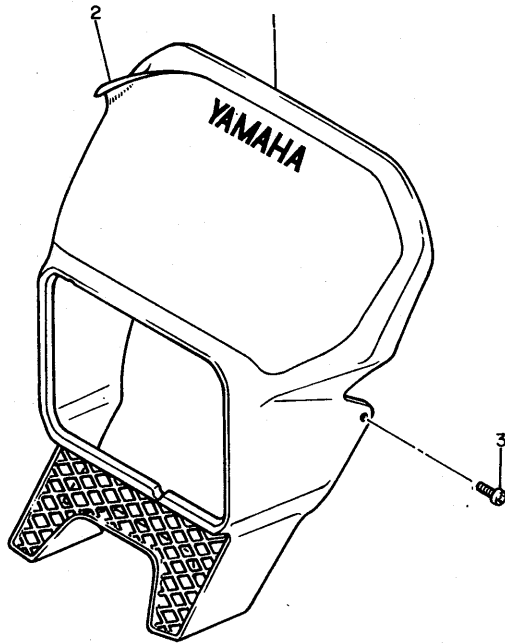
REF. NO.	PART NO.	DESCRIPTION	Q'TY	REMARKS
29	91401-25015	PIN, cotter	1	
30	91021-10025	BOLT, flange	2	
31	55W-27311-00-R4	STAND, side	1	black
32	90109-124A7	BOLT	1	
33	90185-12119	NUT, self-locking	1	
34	90507-29009	SPRING, tension	1	
35	26F-27432-00-FH	BRACKET 1	1	UR fire red
	26F-27432-00-NJ	BRACKET 1	1	UR faraway blue
36	120-27433-00	COVER, rear footrest	2	
37	1VJ-27442-00-FH	BRACKET 2	1	UR fire red
	1VJ-27442-00-NJ	BRACKET 2	1	UR faraway blue
38	90201-20279	WASHER, Plate	2	
39	120-27431-00	FOOTREST, rear 1	2	
40	90240-06009	PIN, clevis	2	
41	91401-16015	PIN, cotter	2	
42	90109-08789	BOLT	4	

1VJ300-6310

E9

FIG. 32 COWLING 1

REF. NO.	PART NO.	DESCRIPTION	Q'TY	REMARKS
1	1VJ-W2835-00	PANEL COMP. 1	1	UR white
	1VJ-W2835-10	PANEL COMP. 1	1	UR faraway blue
2	1VJ-28368-00	•EMBLEM	1	UR for w
	1VJ-28368-10	•EMBLEM	1	UR for fwb
3	98903-06010	SCREW, bind	2	

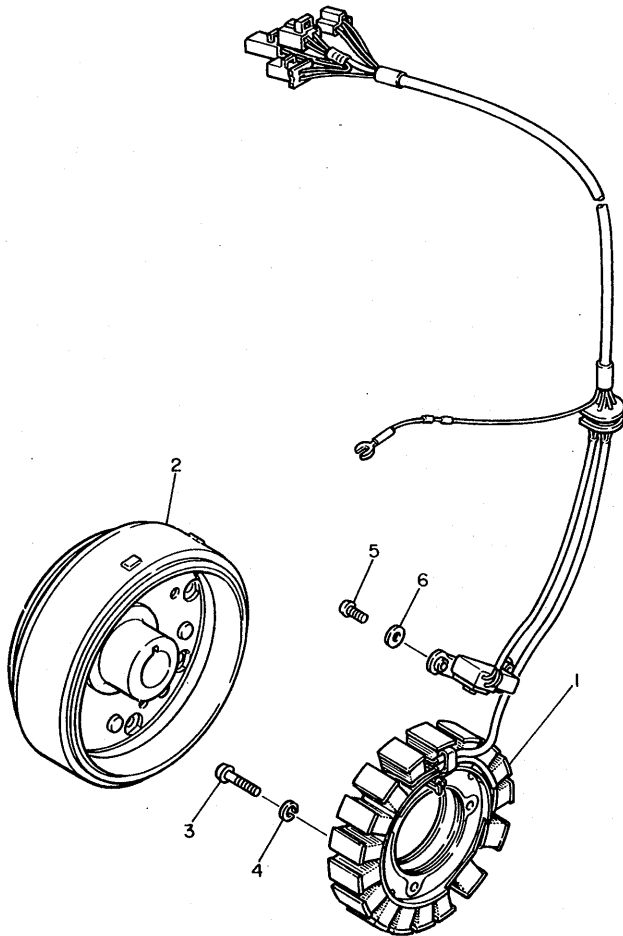


1VJ300-6320

E10

FIG. 33 GENERATOR

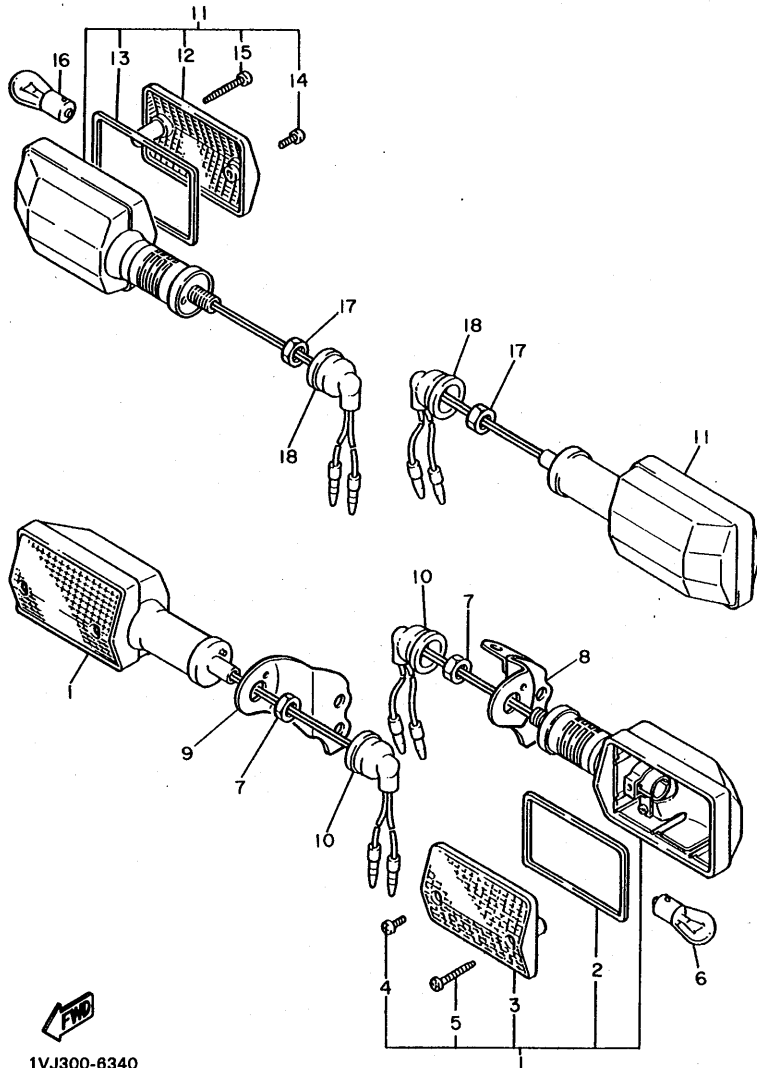
REF. NO.	PART NO.	DESCRIPTION	Q'TY	REMARKS
1	1VJ-85510-50	STATOR ASSY	1	
2	1VJ-85550-50	ROTOR ASSY	1	
3	92501-06035	SCREW, Pan head	3	
4	92990-06100	WASHER, sPring	3	
5	92501-06020	SCREW, Pan head	2	
6	90201-06674	WASHER, Plate	2	



1VJ300-6330

E11

FIG. 34 FLASHER LIGHT

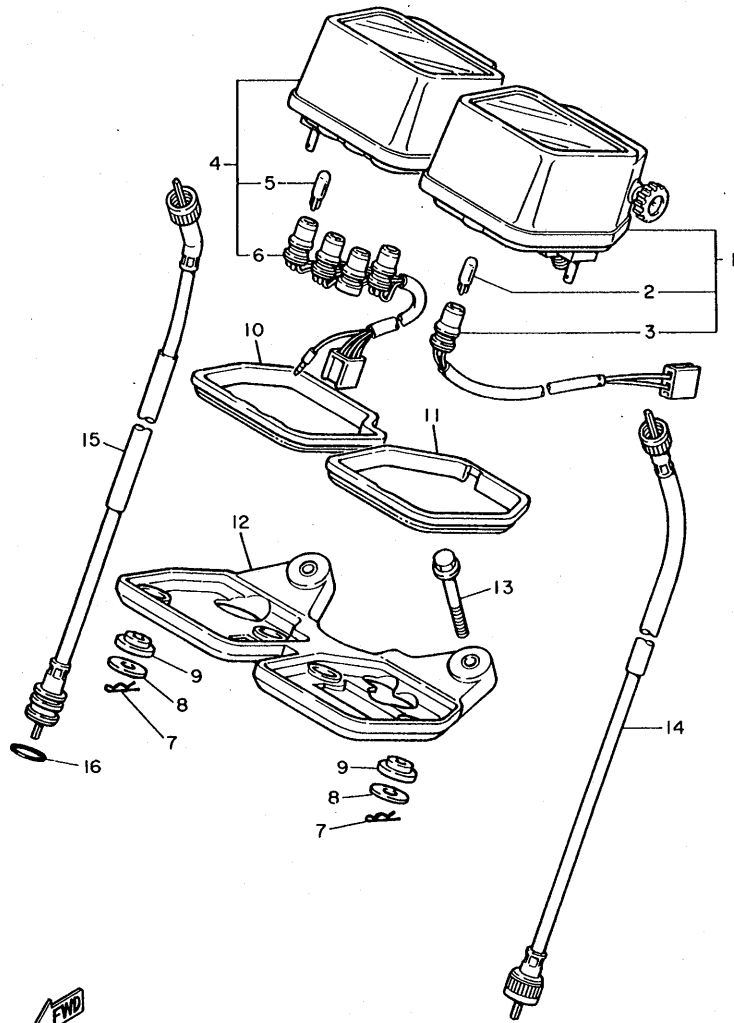


REF. NO.	PART NO.	DESCRIPTION	Q'TY	REMARKS
1	34L-83310-21	FRONT FLASHER LIGHT ASSY 1	2	
2	5Y1-83313-00	•GASKET, flasher lens	1	
3	5Y1-83312-00	•LENS, flasher	1	
4	98511-04012	•SCREW, Pan head	1	
5	97701-40530	•SCREW, taPPinG	1	
6	*	BULB, flasher (12V-21W)	2	LM
7	95302-12700	NUT	2	
8	1VJ-83318-00	STAY, flasher 1	1	
9	1VJ-83328-00	STAY, flasher 2	1	
10	18G-83365-00	CAP	2	
11	37A-83330-21	REAR FLASHER LIGHT ASSY 1	2	
12	10V-83312-00	•LENS, flasher	1	
13	5Y1-83313-00	•GASKET, flasher lens	1	
14	98511-04012	•SCREW, Pan head	1	
15	97702-40630	•SCREW, taPPinG	1	
16	*	BULB, flasher (12V-21W)	2	LM
17	95302-12700	NUT	2	
18	18G-83365-00	CAP	2	

1VJ300-6340

E12

FIG. 35 METER



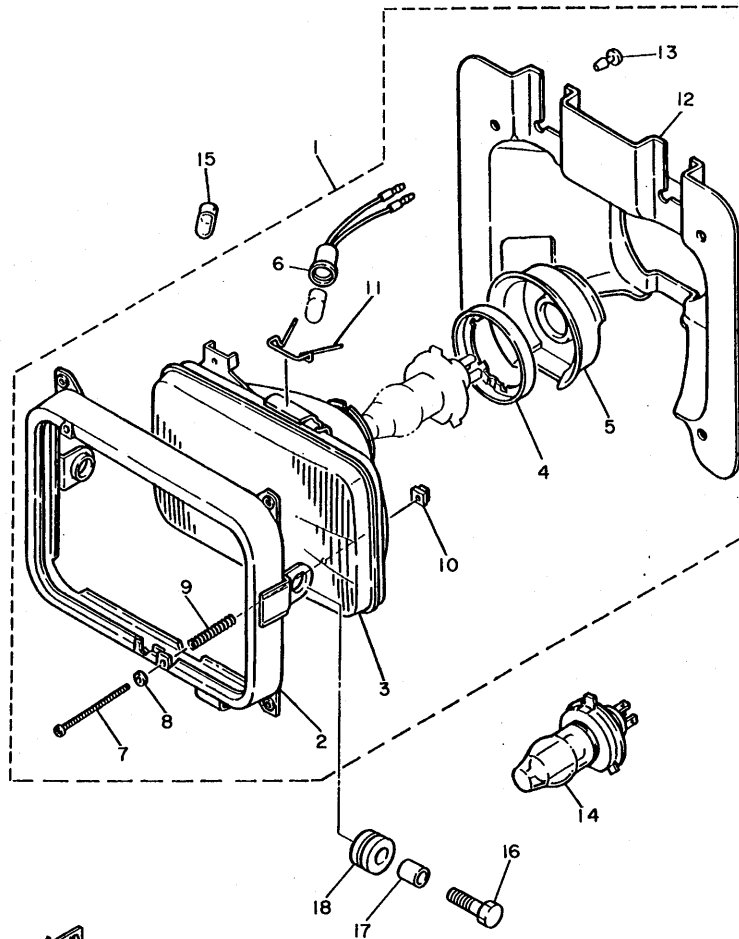
REF. NO.	PART NO.	DESCRIPTION	Q'TY	REMARKS
1	34L-83570-F0	SPEEDOMETER ASSY	1	
2	4G1-84744-00	•BULB (12V-3.4W)	1	
3	5Y1-83536-00	•SOCKET, meter	1	
4	34L-83540-00	TACHOMETER ASSY	1	
5	4G1-84744-00	•BULB (12V-3.4W)	4	
6	5Y1-83520-00	•SOCKET CORD ASSY	1	
7	437-83525-00	CLIP	4	
8	90201-05033	WASHER, Plate	4	
9	1M1-83526-00	DAMPER 2	4	
10	5Y1-83541-00	DAMPER	1	
11	5Y1-83513-00	DAMPER	1	
12	5Y1-83519-00	BRACKET, meter	1	
13	95806-06040	BOLT, flange	2	
14	48Y-83550-00	SPEEDOMETER CABLE ASSY	1	
15	1VJ-83560-00	TACHOMETER CABLE ASSY	1	
16	93210-14104	O-RING	1	



43F300-4330

E13

FIG. 36 HEADLIGHT



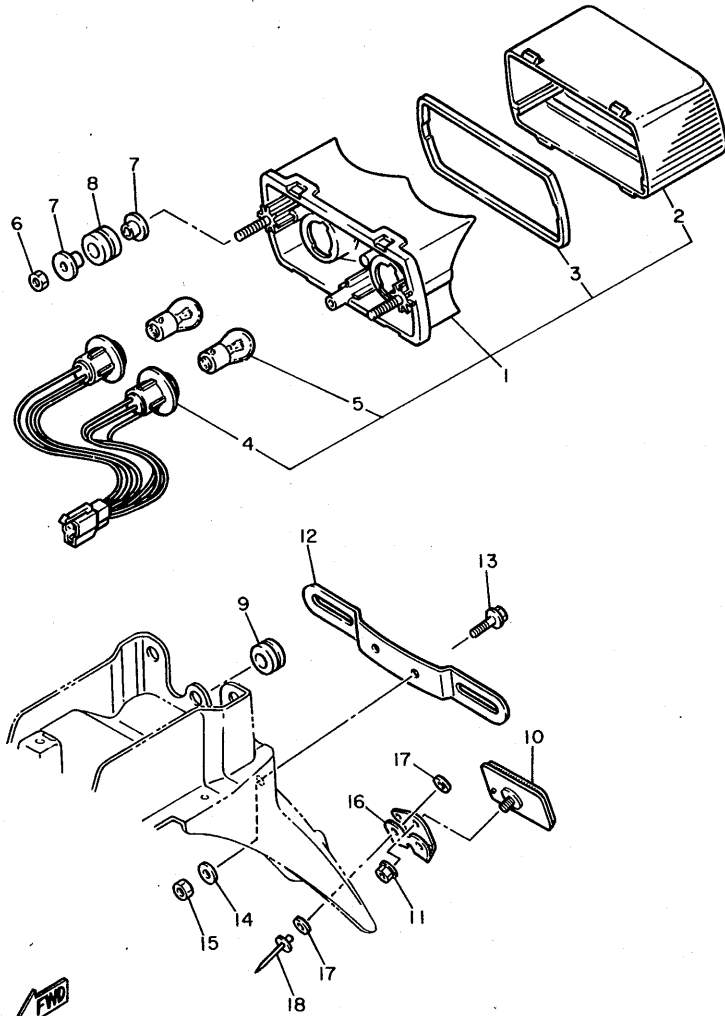
REF. NO.	PART NO.	DESCRIPTION	Q'TY	REMARKS
1	43F-84303-G0	HEADLIGHT UNIT ASSY	1	
2	47J-84115-00	•RIM, headlight	1	
3	34L-84321-G0	•LENS, headlight	1	
4	2F9-84375-00	•FITTING PLATE, bulb	1	
5	2F9-84397-01	•COVER, socket	1	
6	34L-84346-00	•SOCKET, Pilot light	1	
7	43F-84131-00	•SCREW, rim adjuster	2	
8	233-84127-60	•WASHER, special	2	
9	341-84332-60	•SPRING, screw	2	
10	198-84334-60	•NUT, adjusting	2	
11	5G2-84324-A0	•SPRING, reflector	1	
12	10V-84196-00	•COVER, socket	1	
13	10V-84198-00	•CLIP, cover fitting	2	
14	*	BULB, headlight (12V-60/55W)	1	LM
15	*	BULB (12V-4W)	1	LM
16	97302-06020	BOLT	2	
17	90387-06388	COLLAR	2	
18	90480-14023	GROMMET	2	



43F300-6340

E14

FIG. 37 TAILLIGHT

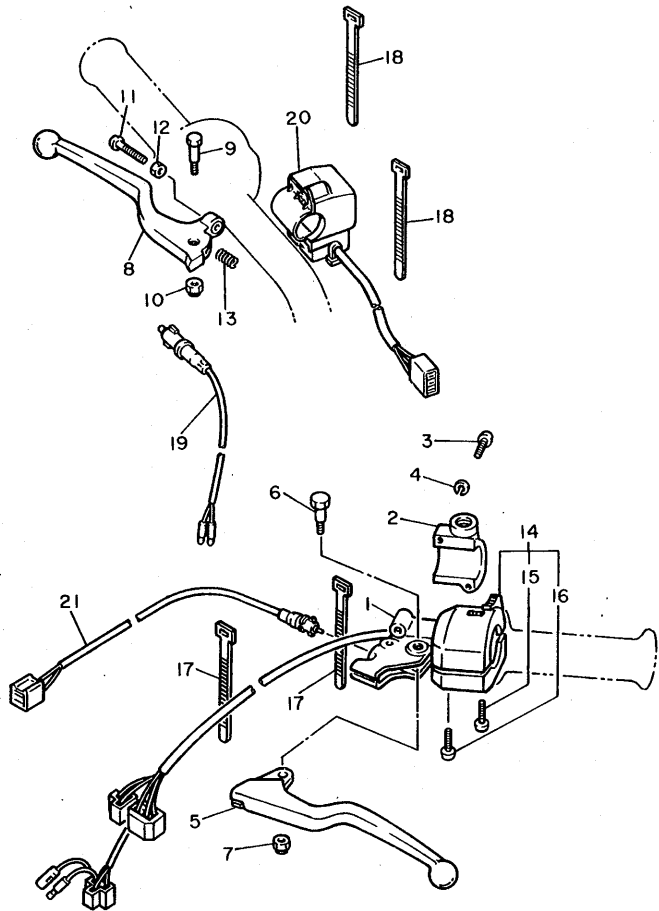


REF. NO.	PART NO.	DESCRIPTION	Q'TY	REMARKS
1	47X-84710-E0	TAILLIGHT UNIT ASSY	1	
2	47X-84721-00	•LENS, taillight	1	
3	47X-84723-00	•GASKET, tail lens	1	
4	47X-84735-00	•CORD ASSY	1	
5	31L-84714-00	•BULB, taillight (12V-21/5W)	2	
6	95302-06600	NUT	2	
7	90387-07037	COLLAR	4	
8	16G-84736-00	DAMPER, tail 1	2	
9	90480-15259	GROMMET	1	
10	3G1-85130-01	REAR REFLECTOR ASSY	1	
11	95702-05500	NUT, flange	1	
12	36A-84551-00	BRACKET, licence	1	
13	95026-06012	BOLT, flange	2	
14	90201-06067	WASHER, Plate	2	
15	95302-06700	NUT	2	
16	33G-85132-00	BRACKET, reflector 1	1	
17	90201-044A2	WASHER, Plate	4	
18	90267-40076	RIVET, blind	2	

1VJ300-6370

E15

FIG. 38 HANDLE SWITCH, LEVER

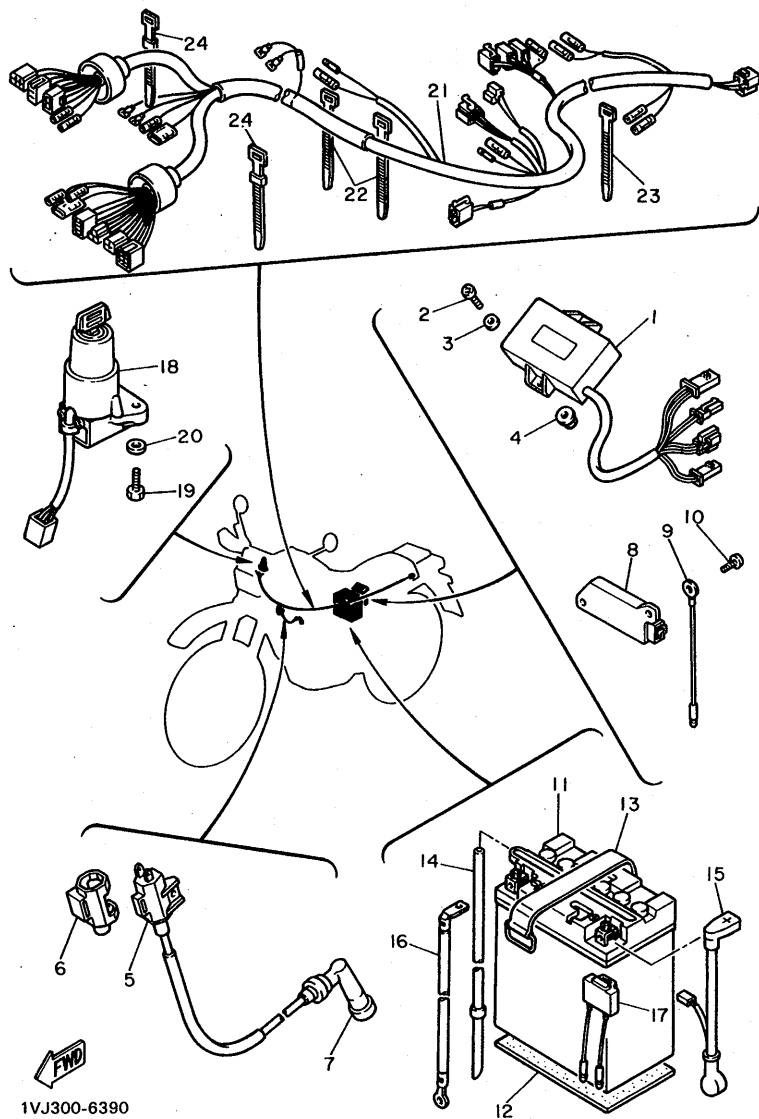


REF. NO.	PART NO.	DESCRIPTION	Q'TY	REMARKS
1	1LN-82911-00	HOLDER, lever 1	1	
2	33G-82913-00	HOLDER, lever lower 1	1	
3	98506-05020	SCREW, Pan head	2	
4	92906-05100	WASHER, sPring	2	
5	5Y1-83912-00	LEVER 1	1	
6	90109-06798	BOLT	1	
7	95601-06100	NUT, u	1	
8	1KH-83922-01	LEVER 2	1	
9	90109-06774	BOLT	1	
10	95601-06100	NUT, u	1	
11	90149-06153	SCREW	1	
12	90170-06010	NUT	1	
13	90501-10312	SPRING, comPression	1	
14	30X-83972-00	SWITCH, handle 4	1	
15	98506-05030	.SCREW, Pan head	1	
16	98506-05035	.SCREW, Pan head	1	
17	437-83936-00	BAND, switch cord	2	
18	437-83936-00	BAND, switch cord	2	
19	34X-83980-01	FRONT STOP SWITCH ASSY	1	
20	1VJ-83964-00	SWITCH	1	
21	5H0-82917-00	SWITCH	1	



1VJ300-6380

FIG. 39 ELECTRICAL 1

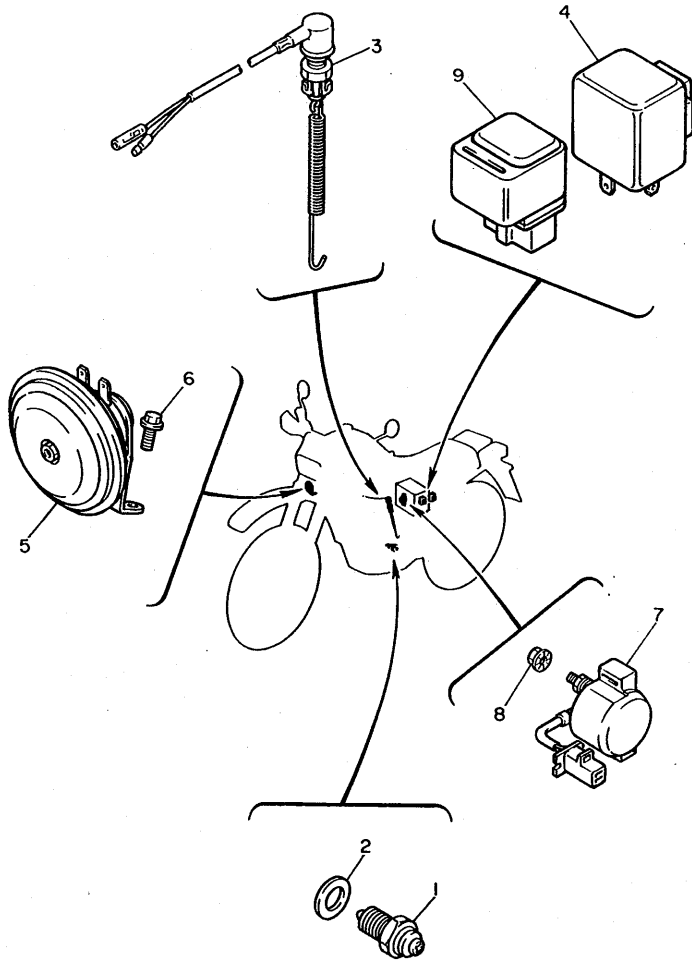


REF. NO.	PART NO.	DESCRIPTION	Q'TY	REMARKS
1	1VJ-85540-50	C.D.I. UNIT ASSY	1	
2	92501-06020	SCREW, Pan head	1	
3	92990-06600	WASHER, Plate	1	
4	95702-06500	NUT, flange	1	
5	1VJ-82310-50	IGNITION CDIL ASSY	1	
6	1VJ-82317-00	DAMPER, ignition coil	1	
7	371-82370-00	PLUG CAP ASSY	1	
8	47X-81960-A0	RECTIFIER & REGULATOR ASSY	1	
9	1VJ-82519-00	WIRE, earth lead	1	
10	92501-06012	SCREW, Pan head	2	
11	1VJ-82110-60	BATTERY ASSY (GM12AZ-3A-2)	1	
12	5Y1-82122-00	SEAT, battery	1	
13	1E6-82131-00	BAND, battery	1	
14	90445-087E1	HOSE	1	
15	1VJ-82115-00	WIRE, Plus lead	1	
16	1VJ-82116-00	WIRE, minus lead	1	
17	5Y1-82180-00	CIRCUIT BREAKER ASSY	1	
18	5Y3-82501-80	MAIN SWITCH STEERING LOCK	1	
19	97301-06016	BOLT	2	
20	92990-06600	WASHER, Plate	2	
21	1VJ-82590-00	WIRE HARNESS ASSY	1	
22	447-82591-00	BAND	2	
23	5A8-82591-00	BAND	1	
24	5A8-82591-00	BAND	2	

1VJ300-6390

F3

FIG. 40 ELECTRICAL 2



REF. NO.	PART NO.	DESCRIPTION	Q'TY	REMARKS
1	2H7-82540-00	NEUTRAL SWITCH ASSY	1	
2	90430-10027	GASKET	1	
3	34L-82530-00	STOP SWITCH ASSY	1	
4	34L-83350-20	FLASHER RELAY ASSY	1	
5	1VJ-83371-00	HORN	1	
6	95023-06010	BDLT, flange	2	
7	22U-81940-00	STARTER SWITCH ASSY	1	honda lock
8	95702-06500	NUT, flange	2	
9	12R-81950-00	STARTER CURCUIT CUT-OFF RELAY	1	



1VJ300-6400

F4



INDIVIDUAL SPEC.

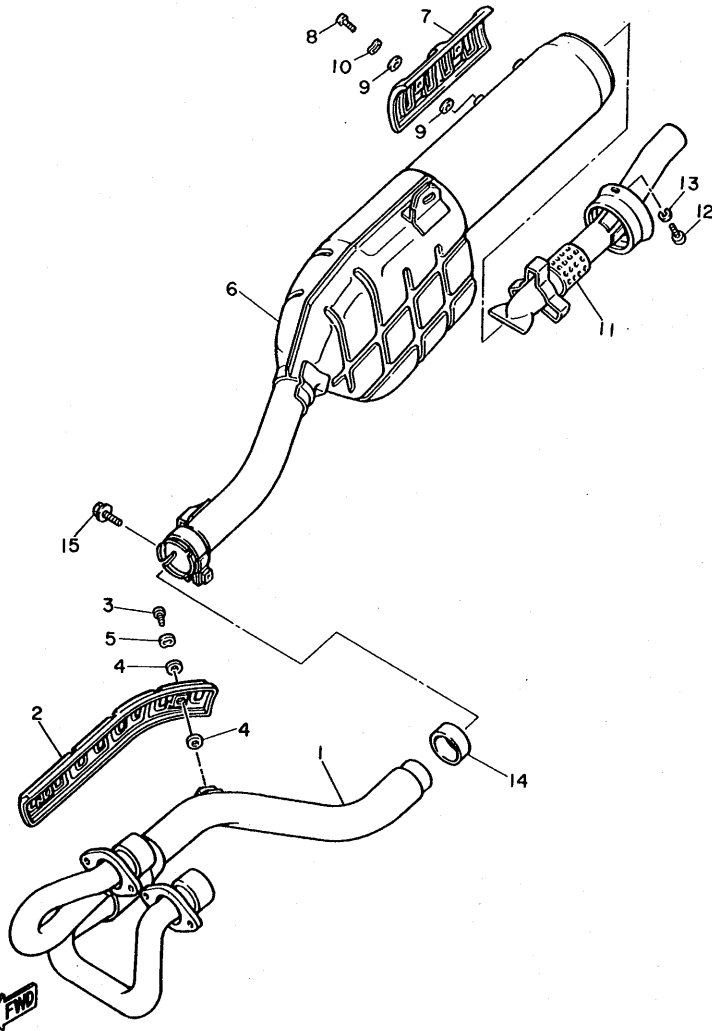


FOR AUSTRIA

The following pages provides a listing of only the parts that meet the specifications peculiar to your market. For those parts not appearing in these pages, refer to the "GENERAL SPEC" section.

FIG. 41 ENGINE 1

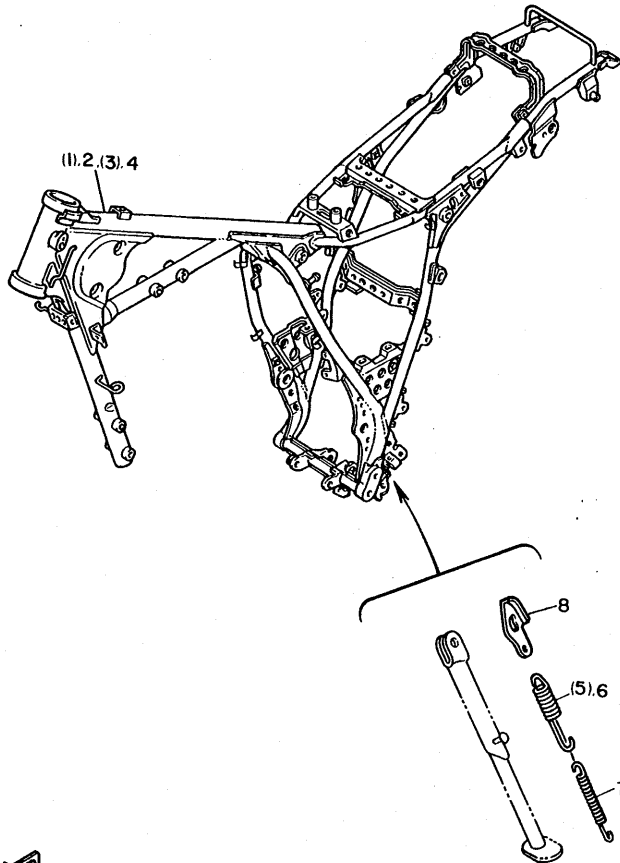
REF. NO.	PART NO.	DESCRIPTION	Q'TY	REMARKS
1	34K-14611-00	PIPE, exhaust 1	1	
2	34K-14628-00	PROTECTOR, exhaust Pipe	1	
3	90164-06017	SCREW, tapping	2	
4	30X-14766-00	WASHER, Protector	4	
5	90206-06060	WASHER, wave	2	
6	1VJ-14711-00	MUFFLER 1	1	
7	30X-14728-00	PROTECTOR, muffler 2	1	
8	98906-06010	SCREW, bind	2	
9	583-14766-00	WASHER, Protector	4	
10	90206-06060	WASHER, wave	2	
11	1VJ-14752-60	PIPE, outlet	1	
12	92501-06008	SCREW, Pan head	2	
13	92990-06100	WASHER, sPring	2	
14	34K-14714-00	GASKET, muffler	1	
15	95816-08045	BOLT, flange	1	



1VJ300-6410

F6

FIG. 42 CHASSIS 1 (FRAME)



REF. NO.	PART NO.	DESCRIPTION	Q'TY	REMARKS
1	1VJ-21110-00-FH	FRAME COMP.	*	UR fire red
2	1VJ-21110-10-FH	FRAME COMP.	1	UR fire red
3	1VJ-21110-00-NJ	FRAME COMP.	*	UR faraway blue
4	1VJ-21110-10-NJ	FRAME COMP.	1	UR faraway blue
5	90507-29009	SPRING, tension	*	
6	90506-18224	SPRING, tension	1	
7	90506-26225	SPRING, tension	1	
8	5Y1-27315-00	LINK, side stand	1	

* For Convenience of reference:

Disregard the items asterisked (*) in the "QTY" column. These are intended for GENERAL SPEC, and NOT for INDIVIDUAL SPEC.

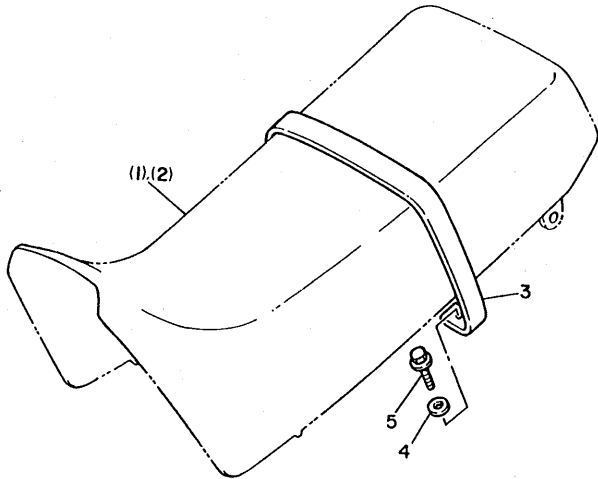


1VJ300-6420

F7

FIG. 43 CHASSIS (SEAT)

REF. NO.	PART NO.	DESCRIPTION	Q'TY	REMARKS
1	1VJ-24770-30	SEMI-DOUBLE SEAT ASSY	*	chappy red
2	1VJ-24770-20	SEMI-DOUBLE SEAT ASSY	*	Pastel blue
3	1VJ-24734-10	BAND, seat	1	UR chappy red
	1VJ-24734-00	BAND, seat	1	UR Pastel blue
4	90201-06022	WASHER, Plate	2	
5	95021-06016	BOLT, flange	2	



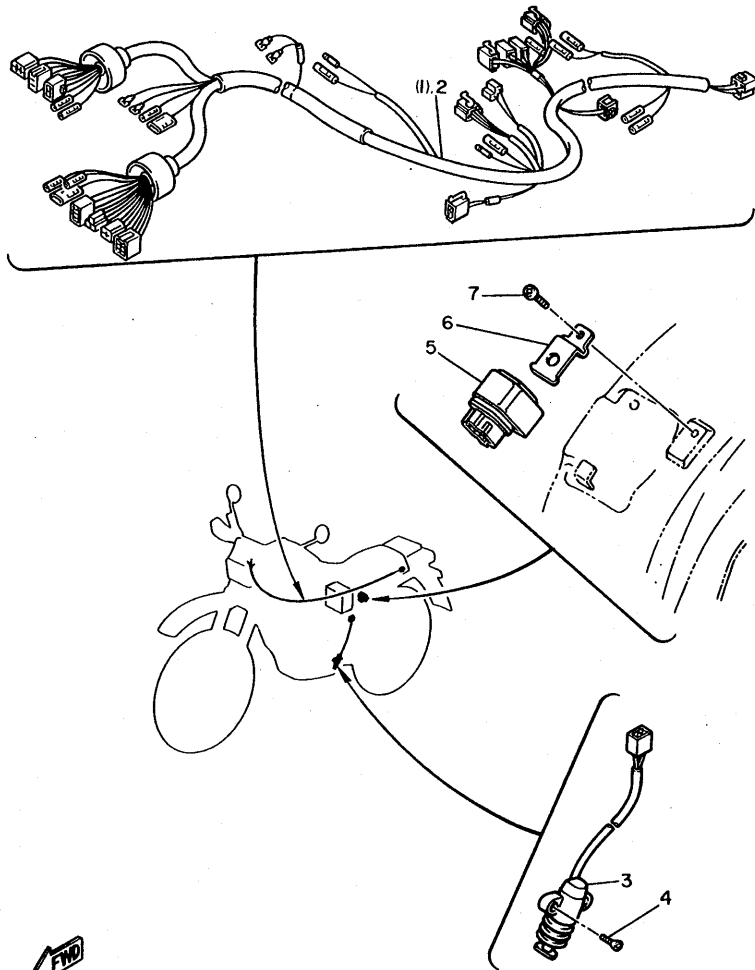
1VJ300-6430

* For Convenience of reference:

Disregard the items asterisked (*) in the "QTY" column. These are intended for GENERAL SPEC, and NOT for INDIVIDUAL SPEC.

F8

FIG. 44 ELECTRICAL 1



REF. NO.	PART NO.	DESCRIPTION	Q'TY	REMARKS
1	1VJ-82590-00	WIRE HARNESS ASSY	*	
2	1VJ-82590-10	WIRE HARNESS ASSY	1	
3	1VJ-82566-00	SWITCH, side stand	1	
4	98706-05018	SCREW, flat head	2	
5	25G-81950-00	RELAY ASSY	1	
6	1VJ-81953-00	STAY, relay	1	
7	97702-50508	SCREW, tapping	1	

* For Convenience of reference:

Disregard the items asterisked (*) in the "QTY" column. These are intended for GENERAL SPEC, and NOT for INDIVIDUAL SPEC.

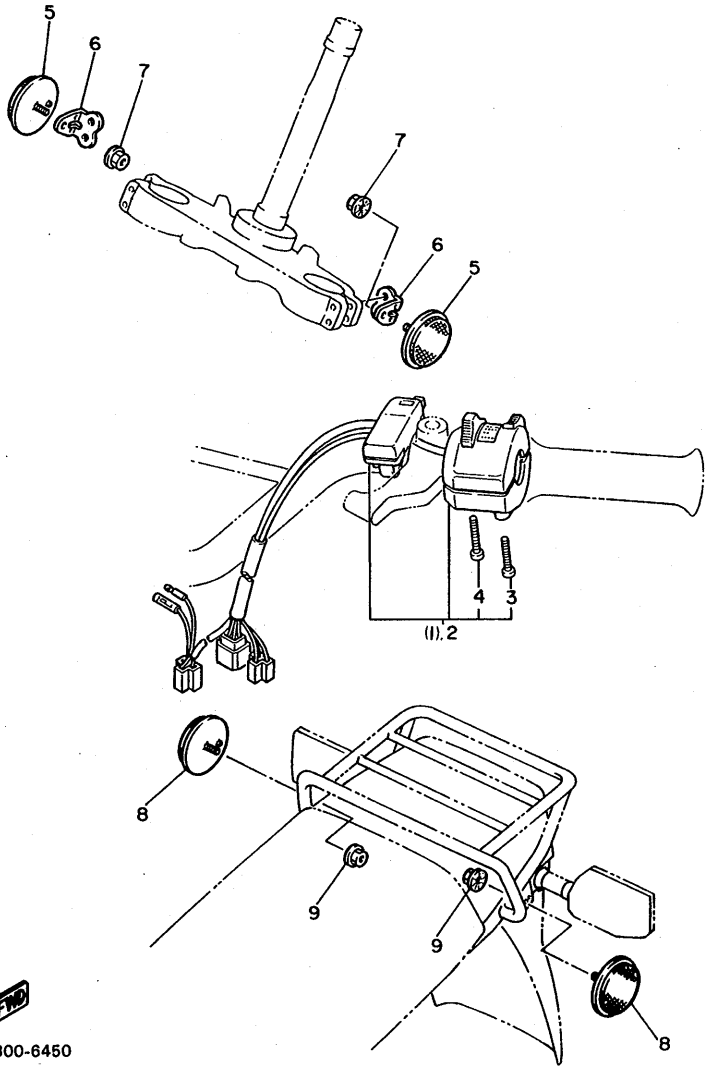


1VJ300-6440

F9

FIG. 45 ELECTRICAL 2

REF. NO.	PART NO.	DESCRIPTION	Q'TY	REMARKS
1	30X-83972-00	SWITCH, handle 4	*	
2	34L-83969-00	SWITCH, handle 5	1	
3	98506-05030	•SCREW, Pan head	1	
4	98506-05035	•SCREW, Pan head	1	
5	20G-85110-00	FRONT REFLECTOR ASSY	2	
6	49R-85112-00	BRACKET, reflector 1	2	
7	95702-05500	NUT, flange	2	
8	20G-85110-00	REAR REFLECTOR ASSY	2	
9	95702-05500	NUT, flange	2	



* For Convenience of reference:

Disregard the items asterisked (*) in the "QTY" column. These are intended for GENERAL SPEC, and NOT for INDIVIDUAL SPEC.



1VJ300-6450

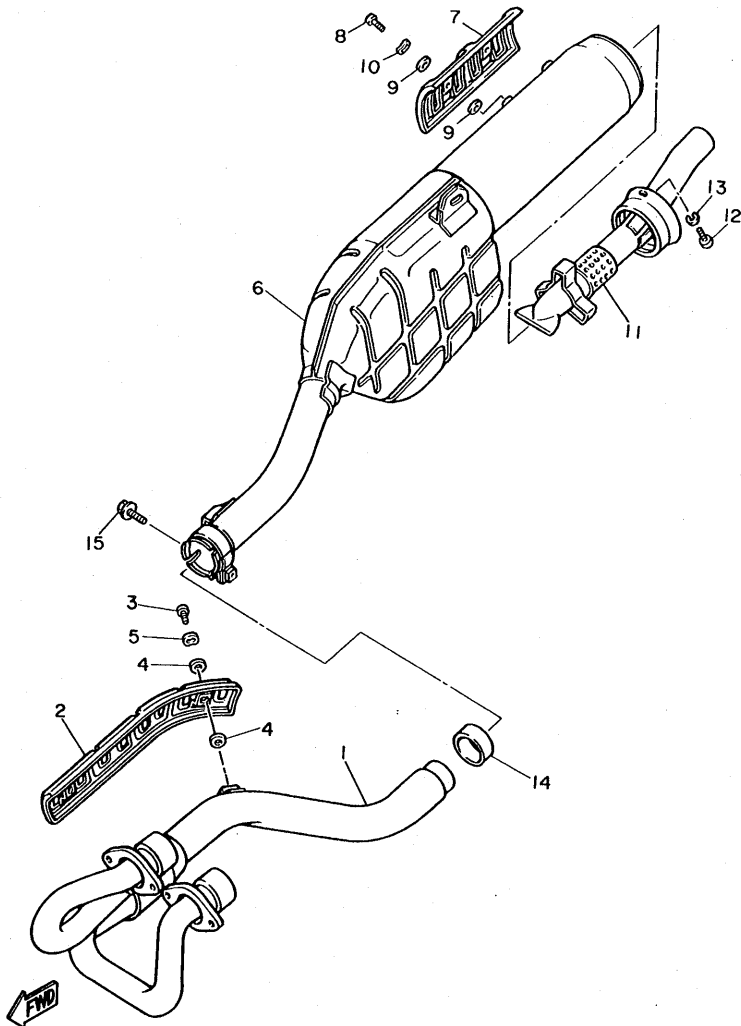
F10

FOR DENMARK NORWAY SWEDEN

The following pages provides a listing of only the parts that meet the specifications peculiar to your market. For those parts not appearing in these pages, refer to the "GENERAL SPEC" section.

FIG. 46 ENGINE

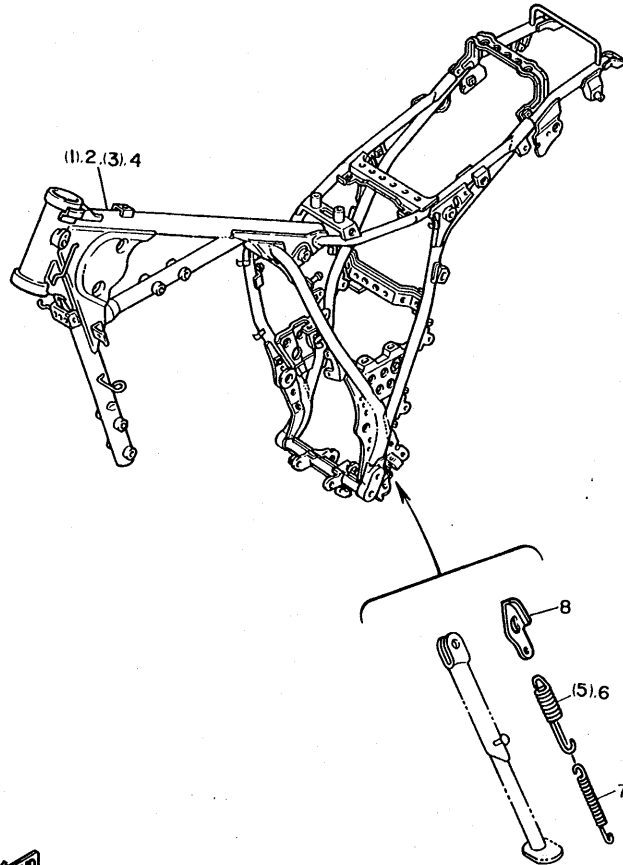
REF. NO.	PART NO.	DESCRIPTION	Q'TY	REMARKS
1	34K-14611-00	PIPE, exhaust 1	1	} for only sweden
2	34K-14628-00	PROTECTOR, exhaust Pipe	1	
3	90164-06017	SCREW, tapping	2	
4	30X-14766-00	WASHER, Protector	4	
5	90206-06060	WASHER, wave	2	
6	1VJ-14711-00	MUFFLER 1	1	
7	30X-14728-00	PROTECTOR, muffler 2	1	
8	98906-06010	SCREW, bind	2	
9	583-14766-00	WASHER, Protector	4	
10	90206-06060	WASHER, wave	2	
11	1VJ-14752-60	PIPE, outlet	1	
12	92501-06008	SCREW, Pan head	2	
13	92990-06100	WASHER, spring	2	
14	34K-14714-00	GASKET, muffler	1	
15	95816-08045	BOLT, flange	1	



1VJ300-6410

F12

FIG. 47 CHASSIS 1 (FRAME)



REF. NO.	PART NO.	DESCRIPTION	Q'TY	REMARKS
1	1VJ-21110-00-FH	FRAME COMP.	*	UR fire red
2	1VJ-21110-10-FH	FRAME COMP.	1	UR fire red
3	1VJ-21110-00-NJ	FRAME COMP.	*	UR faraway blue
4	1VJ-21110-10-NJ	FRAME COMP.	1	UR faraway blue
5	90507-29009	SPRING, tension	*	
6	90506-18224	SPRING, tension	1	
7	90506-26225	SPRING, tension	1	
8	5Y1-27315-00	LINK, side stand	1	

* For Convenience of reference:

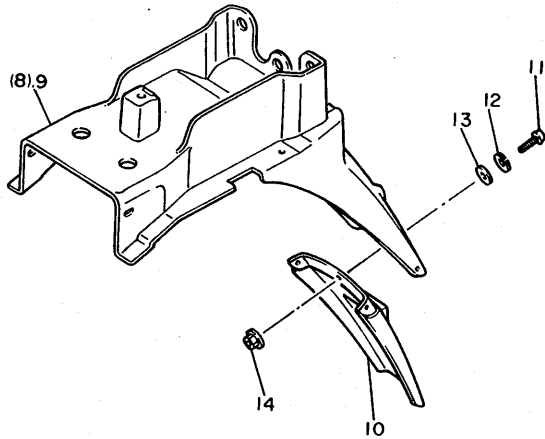
Disregard the items asterisked (*) in the "QTY" column. These are intended for GENERAL SPEC, and NOT for INDIVIDUAL SPEC.



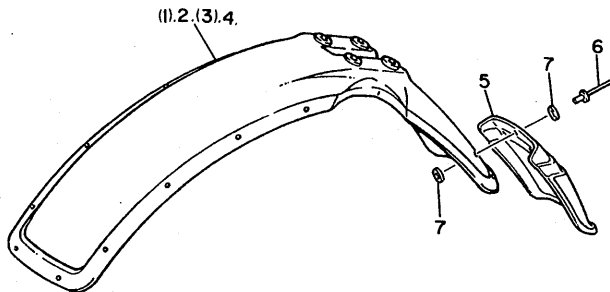
1VJ300-6420

F13

FIG. 48 CHASSIS 2 (FENDER)



REF. NO.	PART NO.	DESCRIPTION	Q'TY	REMARKS
1	48Y-21511-00	FENDER, front	*	clean white
2	1VJ-21511-10	FENDER, front	1	white
3	1VJ-21511-00	FENDER, front	*	
4	1VJ-21511-20	FENDER, front	1	faraway blue
5	43F-21521-00	FLAP, front fender	1	
6	90267-32071	RIVET, blind	3	
7	92901-03200	WASHER, Plain	6	
8	1VJ-21685-00	BRACKET, license	*	
9	1VJ-21685-10	BRACKET, license	1	
10	1VJ-21621-00	FLAP	1	
11	98506-04018	SCREW, Pan head	3	
12	92906-04100	WASHER, sPrin&	3	
13	92906-04600	WASHER, Plate	3	
14	95702-04500	NUT, flange	3	



* For Convenience of reference:

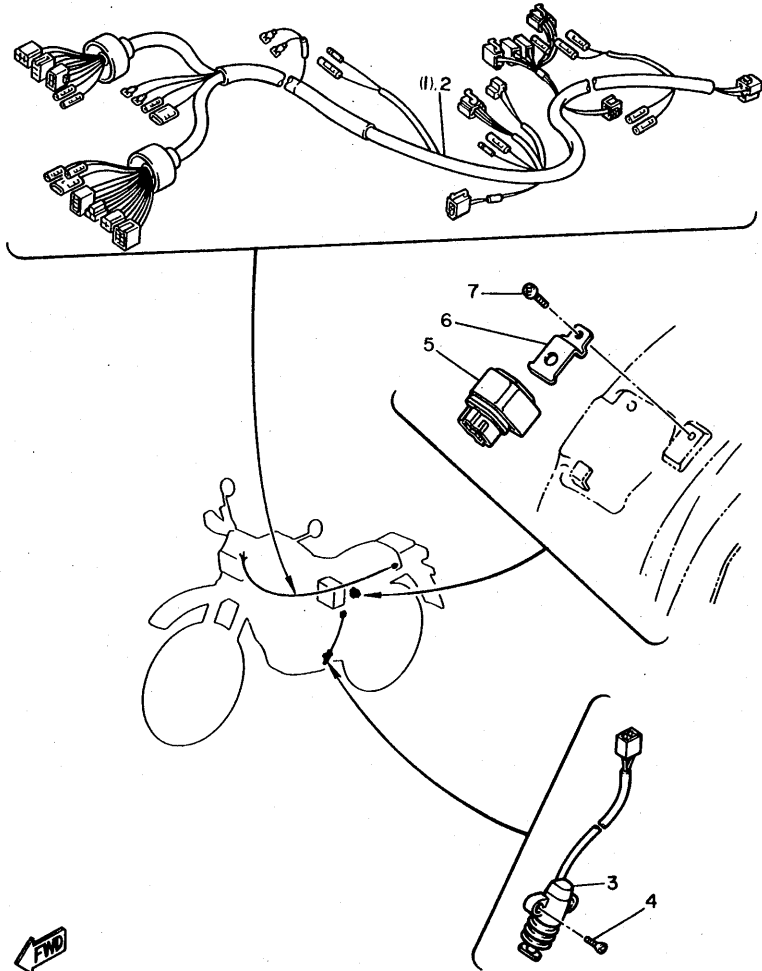
Disregard the items asterisked (*) in the "QTY" column. These are intended for GENERAL SPEC, and NOT for INDIVIDUAL SPEC.



1VJ300-6480

F14

FIG. 49 ELECTRICAL 1



REF. NO.	PART NO.	DESCRIPTION	Q'TY	REMARKS
1	1VJ-82590-00	WIRE HARNESS ASSY	*	
2	1VJ-82590-10	WIRE HARNESS ASSY	1	
3	1VJ-82566-00	SWITCH, side stand	1	
4	98706-05018	SCREW, flat head	2	
5	25G-81950-00	RELAY ASSY	1	
6	1VJ-81953-00	STAY, relay	1	
7	97702-50508	SCREW, tapping	1	

* For Convenience of reference:

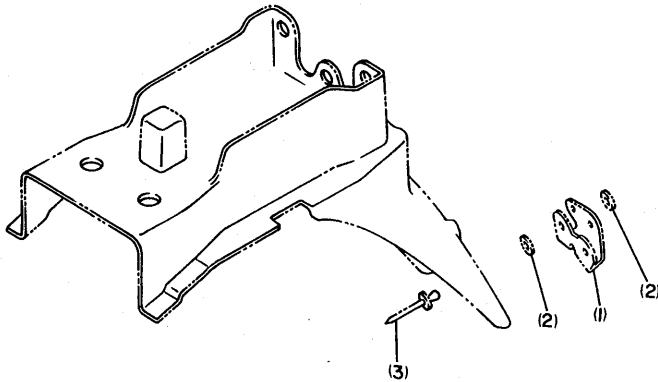
Disregard the items asterisked (*) in the "QTY" column. These are intended for GENERAL SPEC, and NOT for INDIVIDUAL SPEC.



1VJ300-6440

FIG. 50 ELECTRICAL 2

REF. NO.	PART NO.	DESCRIPTION	Q'TY	REMARKS
1	33G-85132-00	BRACKET, reflector 1	*	
2	90201-044A2	WASHER, Plate	*	
3	90267-40076	RIVET, blind	*	



* For Convenience of reference:

Disregard the items asterisked (*) in the "QTY" column. These are intended for GENERAL SPEC, and NOT for INDIVIDUAL SPEC.



1VJ300-8500

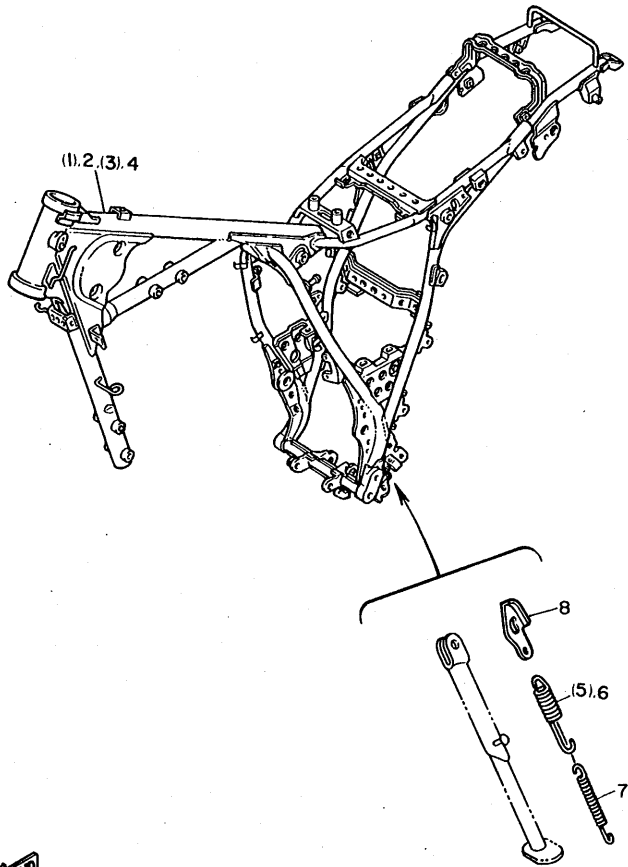
G2

FOR ENGLAND

The following pages provides a listing of only the parts that meet the specifications peculiar to your market. For those parts not appearing in these pages, refer to the "GENERAL SPEC" section.

FIG. 51 CHASSIS (FRAME)

REF. NO.	PART NO.	DESCRIPTION	Q'TY	REMARKS
1	1VJ-21110-00-FH	FRAME COMP.	*	UR fire red
2	1VJ-21110-10-FH	FRAME COMP.	1	UR fire red
3	1VJ-21110-00-NJ	FRAME COMP.	*	UR faraway blue
4	1VJ-21110-10-NJ	FRAME COMP.	1	UR faraway blue
5	90507-29009	SPRING, tension	*	
6	90506-18224	SPRING, tension	1	
7	90506-26225	SPRING, tension	1	
8	5Y1-27315-00	LINK, side stand	1	



* For Convenience of reference:

Disregard the items asterisked (*) in the "QTY" column. These are intended for GENERAL SPEC, and NOT for INDIVIDUAL SPEC.

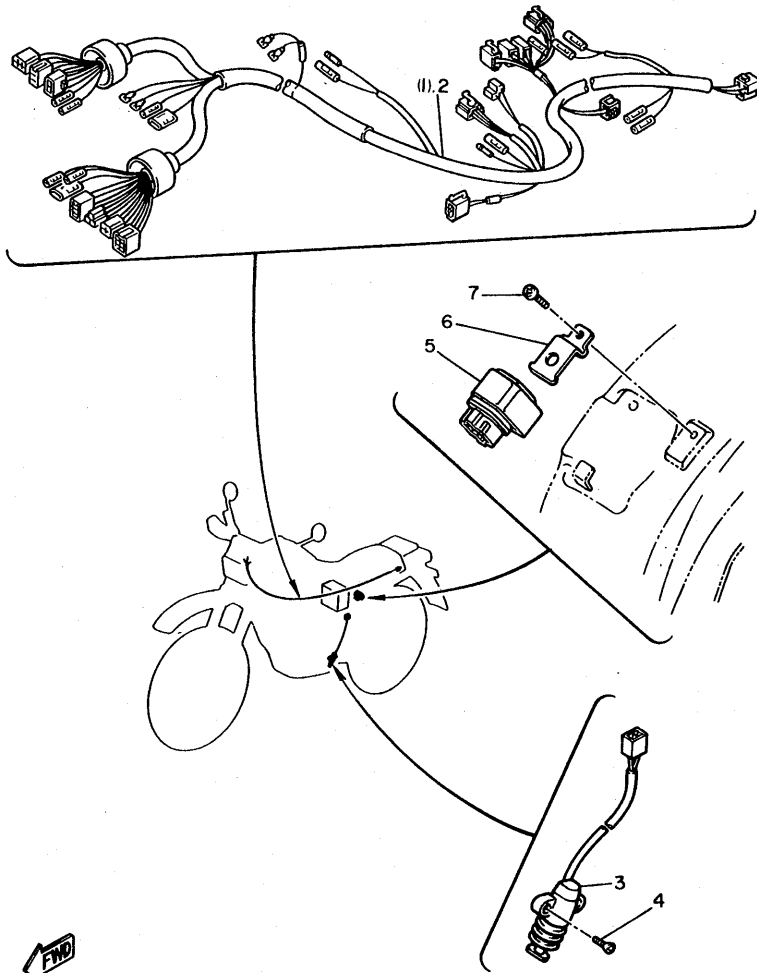


1VJ300-6420

G4

FIG. 52 ELECTRICAL 1

REF. NO.	PART NO.	DESCRIPTION	Q'TY	REMARKS
1	1VJ-82590-00	WIRE HARNESS ASSY	*	
2	1VJ-82590-10	WIRE HARNESS ASSY	1	
3	1VJ-82566-00	SWITCH, side stand	1	
4	98706-05018	SCREW, flat head	2	
5	25G-81950-00	RELAY ASSY	1	
6	1VJ-81953-00	STAY, relay	1	
7	97702-50508	SCREW, tapping	1	



* For Convenience of reference:

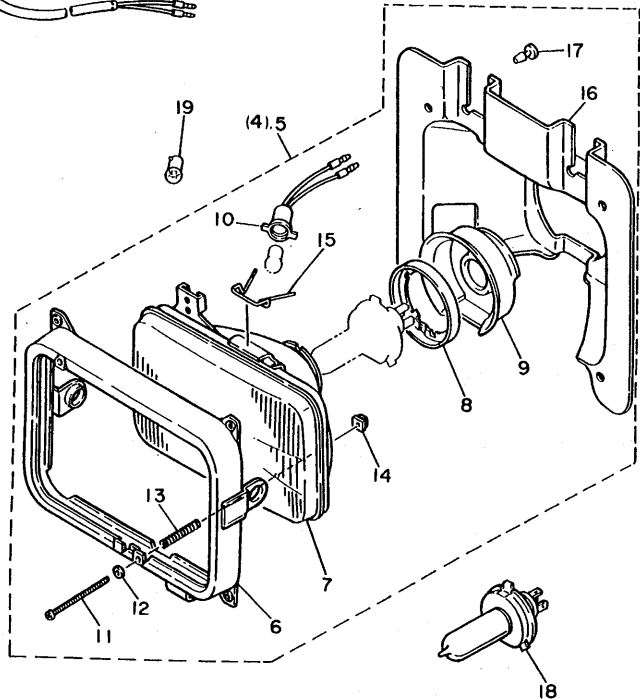
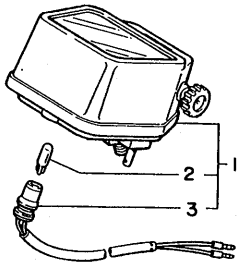
Disregard the items asterisked (*) in the "QTY" column. These are intended for GENERAL SPEC, and NOT for INDIVIDUAL SPEC.



1VJ300-6440

G5

FIG. 53 ELECTRICAL (METER)



REF. NO.	PART NO.	DESCRIPTION	Q'TY	REMARKS
1	43F-83570-G0	SPEEDOMETER ASSY	1	
2	4G1-84744-00	•BULB (12V-3.4W)	1	
3	5Y1-83536-00	•SOCKET, meter	1	
4	43F-84310-F0	HEADLIGHT UNIT ASSY	*	
5	43F-84303-H0	HEADLIGHT UNIT ASSY	1	
6	47J-84115-00	•RIM, headlight	1	
7	5G8-84321-H0	•LENS, headlight	1	
8	2F9-84375-00	•FITTING PLATE, bulb	1	
9	2F9-84397-01	•COVER, socket	1	
10	34L-84346-00	•SOCKET, Pilot light	1	
11	43F-84131-00	•SCREW, rim adjuster	2	
12	233-84127-60	•WASHER, sPecial	2	
13	341-84332-60	•SPRING, screw	2	
14	198-84334-60	•NUT, adjusting	2	
15	5G2-84324-A0	•SPRING, reflector	1	
16	10V-84196-00	•COVER, socket	1	
17	10V-84198-00	•CLIP, cover fitting	2	
18	*	BULB (12V-60/55W)	1	LM
19	*	BULB (12V-3.4W)	1	LM

* For Convenience of reference:

Disregard the items asterisked (*) in the "QTY" column. These are intended for GENERAL SPEC. and NOT for INDIVIDUAL SPEC.



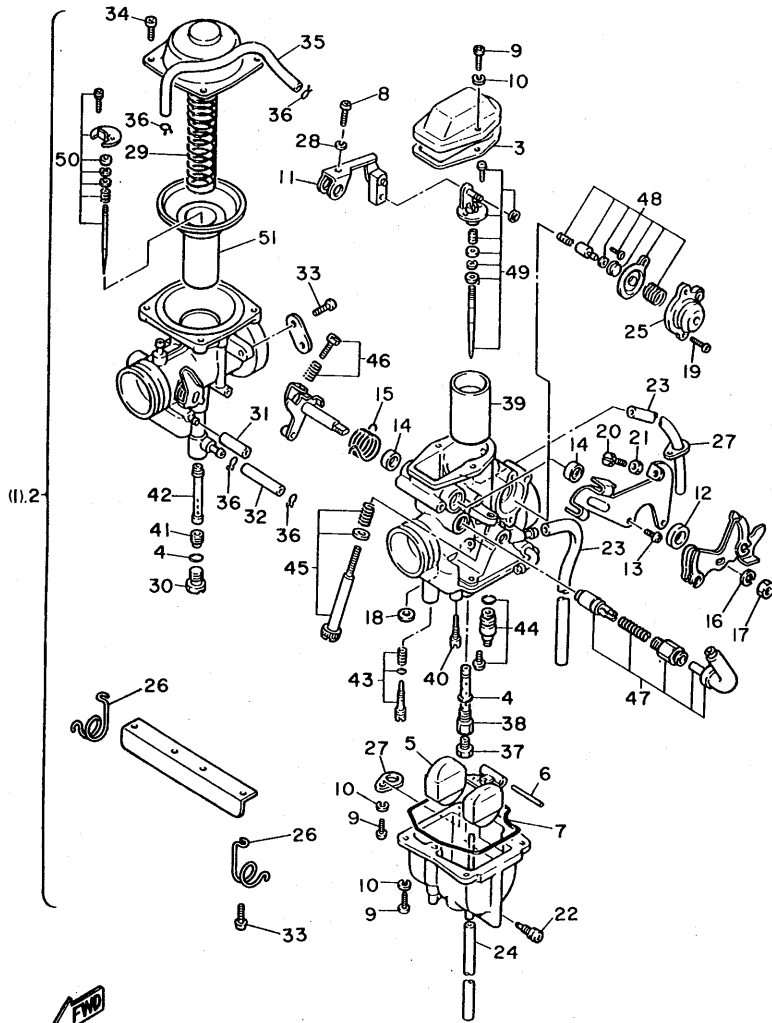
1VJ300-6530

G6

FOR SWITZERLAND

The following pages provides a listing of only the parts that meet the specifications peculiar to your market. For those parts not appearing in these pages, refer to the "GENERAL SPEC" section.

FIG. 54 ENGINE 1 (CARBURETOR)

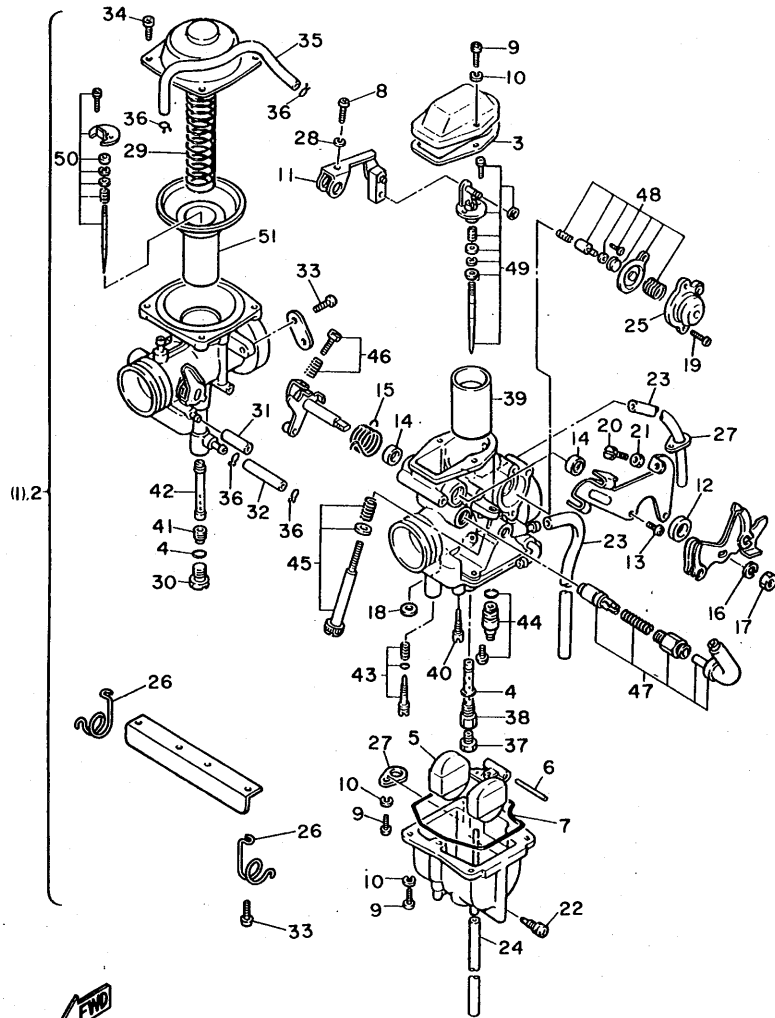


REF. NO.	PART NO.	DESCRIPTION	Q'TY	REMARKS
1	1VJ-14301-00	CARBURETOR ASSY 1	*	
2	1VK-14301-00	CARBURETOR ASSY 1	1	
3	5Y1-14198-00	•GASKET	1	
4	360-24512-00	•GASKET	2	
5	5Y1-14385-00	•FLOAT	1	
6	6E5-14386-01	•PIN, float	1	
7	5Y1-14384-00	•GASKET, float chamber	1	
8	98580-04016	•SCREW, Pan head	1	
9	98501-04014	•SCREW, Pan head	6	
10	92902-04100	•WASHER, sPring	6	
11	1JK-14291-00	•CONNECTER COMP.	1	
12	1JK-14357-00	•COLLAR	1	
13	5Y1-14325-00	•SCREW, Pan head	2	
14	5Y1-14572-00	•SEAL	2	
15	1JK-14131-00	•SPRING, throttle valve	1	
16	5Y1-14356-00	•WASHER, sPring	1	
17	5Y1-14358-00	•NUT	1	
18	5Y1-14536-00	•GASKET	1	
19	98503-04010	•SCREW, Pan head	2	
20	30X-14216-00	•SCREW	1	
21	30X-14358-00	•NUT	1	
22	5Y1-14115-00	•PLUG, screw	1	
23	1VJ-14197-00	•PIPE	2	
24	1JK-14197-00	•PIPE	1	
25	5Y1-14293-01	•COVER 1	1	
26	1VJ-14378-00	•CLAMP, hose	2	
27	42U-14146-00	•PLATE	2	
28	92990-04100	•WASHER, sPring	1	

* For Convenience of reference:

Disregard the items asterisked (*) in the "QTY" column. These are intended for GENERAL SPEC, and NOT for INDIVIDUAL SPEC.

FIG. 54 ENGINE 1 (CARBURETOR)



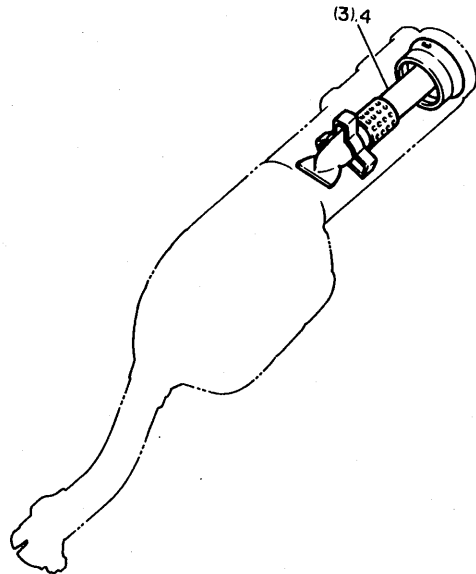
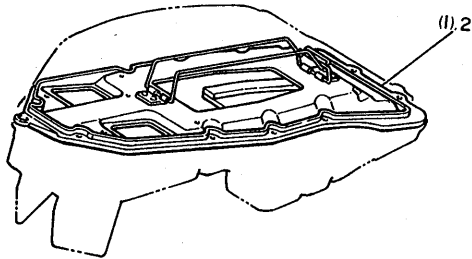
1VJ300-6540

G9

REF. NO.	PART NO.	DESCRIPTION	Q'TY	REMARKS
29	1VK-14286-00	•SPRING	1	
30	30X-14394-00	•VALVE, drain	1	
31	5Y1-14349-00	•PIPE	1	
32	30X-14148-00	•PIPE	1	
33	98501-05010	•SCREW, Pan head	6	
34	98503-04010	•SCREW, Pan head	4	
35	5Y1-14149-00	•PIPE	1	
36	5Y1-14159-00	•CLIP	4	
37	288-14343-68	•JET, main (#135)	1	UR STD
	288-14343-67	•JET, main (#134)	1	UR
	288-14343-70	•JET, main (#140)	1	UR
38	5Y3-14341-00	•NOZZLE, main	1	
39	1XL-14312-55	•VALVE, throttle 1	1	
40	43F-14342-23	•JET, Pilot (# 46)	1	
41	30X-14343-58	•JET, main (#116)	1	
42	1JK-14355-00	•NOZZLE, main 2	1	
43	1JK-14105-00	•PILOT SCREW SET	1	
44	1JK-14107-01	•NEEDLE VALVE SET	1	
45	1JK-1490K-00	•STOP SCREW SET	1	
46	1JK-14103-00	•THROTTLE SCREW SET	1	
47	1JK-1410A-01	•STARTER SET	1	
48	1JK-1490A-00	•DIAPHRAGM SET, 1	1	
49	1VK-1490J-10	•NEEDLE SET	1	
50	1VK-1490J-00	•NEEDLE SET	1	
51	1JK-14340-00	•VALVE ASSY	1	

FIG. 55 ENGINE 2

REF. NO.	PART NO.	DESCRIPTION	Q'TY	REMARKS
1	1VJ-W1441-01	PARTITION, air cleaner case	*	
2	1VK-W1441-01	AIR CLEANER CASE COMP.	1	
3	1VJ-14752-00	PIPE, outlet	*	
4	1VK-14752-00	PIPE, outlet	1	



* For Convenience of reference:

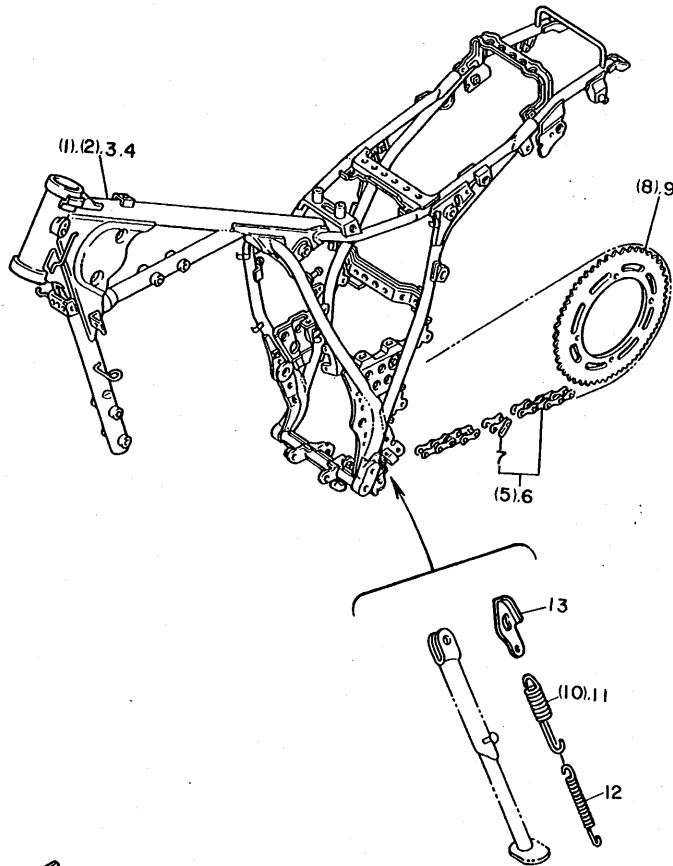
Disregard the items asterisked (*) in the "QTY" column. These are intended for GENERAL SPEC, and NOT for INDIVIDUAL SPEC.



1VJ300-6550

G10

FIG. 56 CHASSIS (FRAME)



REF. NO.	PART NO.	DESCRIPTION	Q'TY	REMARKS
1	1VJ-21110-00-FH	FRAME COMP.	*	UR fire red
2	1VJ-21110-00-NJ	FRAME COMP.	*	UR faraway blue
3	1VJ-21110-10-FH	FRAME COMP.	1	UR fire red
4	1VJ-21110-10-NJ	FRAME COMP.	1	UR faraway blue
5	94580-40104	CHAIN (D.I.D 520V-S-104L)	*	
6	94580-40102	CHAIN (D.I.D 520V/S-102L)	1	
7	94680-50011	•JDINT, chain (D.I.D.50HDS)	1	
8	43F-25440-50-33	SPROCKET, driven (40T)	*	
9	39F-25438-20-33	SPROCKET, driven (38T)	1	yamaha black
10	90507-29009	SPRING, tension	*	
11	90506-18224	SPRING, tension	1	
12	90506-26225	SPRING, tension	1	
13	5Y1-27315-00	LINK, side stand	1	

* For Convenience of reference:

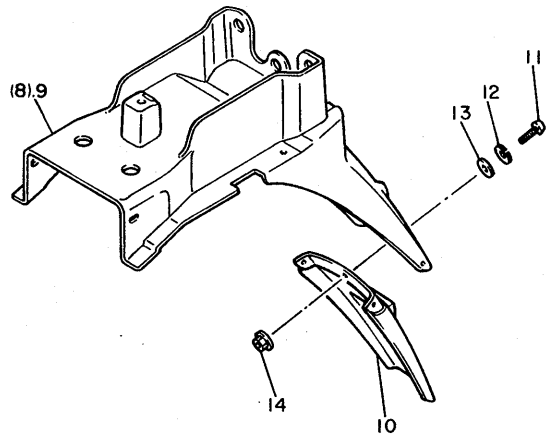
Disregard the items asterisked (*) in the "QTY" column. These are intended for GENERAL SPEC, and NOT for INDIVIDUAL SPEC.



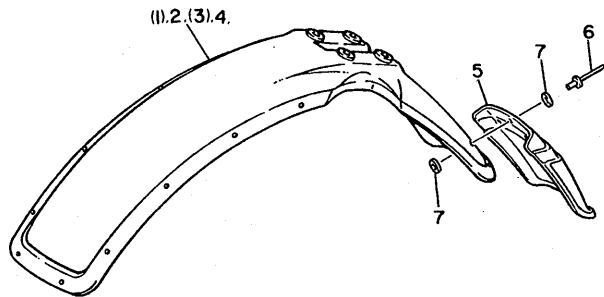
1VJ300-8560

G11

FIG. 57 CHASSIS (FENDER)



REF. NO.	PART NO.	DESCRIPTION	Q'TY	REMARKS
1	48Y-21511-00	FENDER, front	*	white
2	1VJ-21511-10	FENDER, front	1	white
3	1VJ-21511-00	FENDER, front	*	faraway blue
4	1VJ-21511-20	FENDER, front	1	faraway blue
5	43F-21521-00	FLAP, front fender	1	
6	90267-32071	RIVET, blind	3	
7	92901-03200	WASHER, Plain	6	
8	1VJ-21685-00	BRACKET, license	*	
9	1VJ-21685-10	BRACKET, license	1	
10	1VJ-21621-00	FLAP	1	
11	98506-04018	SCREW, Pan head	3	
12	92906-04100	WASHER, sPring	3	
13	92906-04600	WASHER, Plate	3	
14	95702-04500	NUT, flange	3	



* For Convenience of reference:

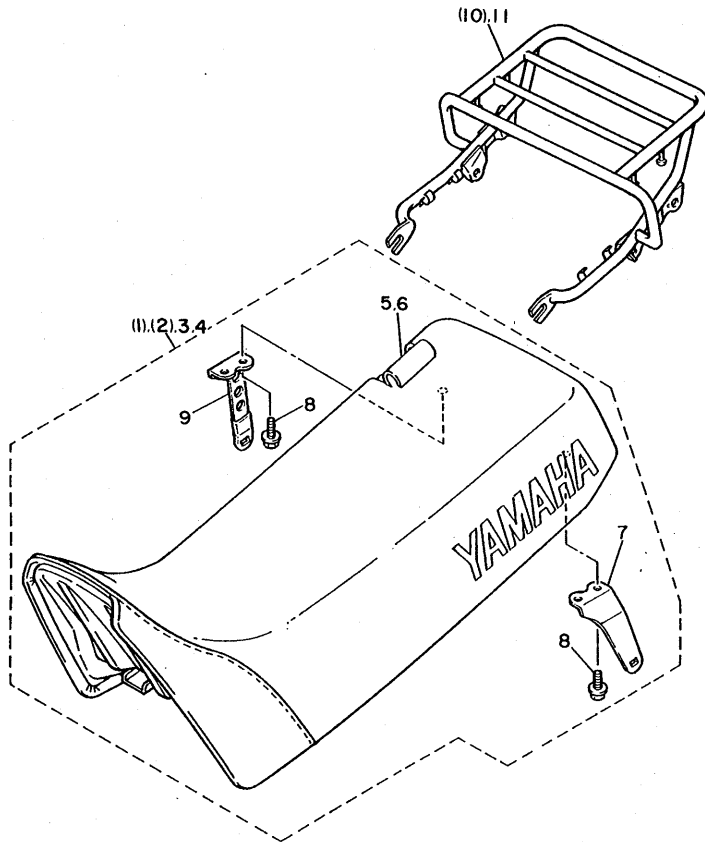
Disregard the items asterisked (*) in the "QTY" column. These are intended for GENERAL SPEC, and NOT for INDIVIDUAL SPEC.



1VJ300-6480

G12

FIG. 58 ALTERNATE (SEAT)



REF. NO.	PART NO.	DESCRIPTION	Q'TY	REMARKS
1	1VJ-24770-30	SEMI-DOUBLE SEAT ASSY	*	chappy red
2	1VJ-24770-20	SEMI-DOUBLE SEAT ASSY	*	Pastel mineral blue
3	1VK-24770-10	SEMI-DOUBLE SEAT ASSY	1	chappy red
4	1VK-24770-00	SEMI-DOUBLE SEAT ASSY	1	Pastel mineral blue
5	1VK-24731-10	•COVER, seat	1	chappy red
6	1VK-24731-00	•COVER, seat	1	Pastel mineral blue
7	1VJ-24738-00	•BRACKET, seat	1	
8	95021-06012	•BOLT, flange	2	
9	1VJ-24748-00	•BRACKET, seat	1	
10	1VK-24830-00	SUB CARRIER ASSY	*	
11	1VJ-24830-00	SUB CARRIER ASSY	1	

* For Convenience of reference:

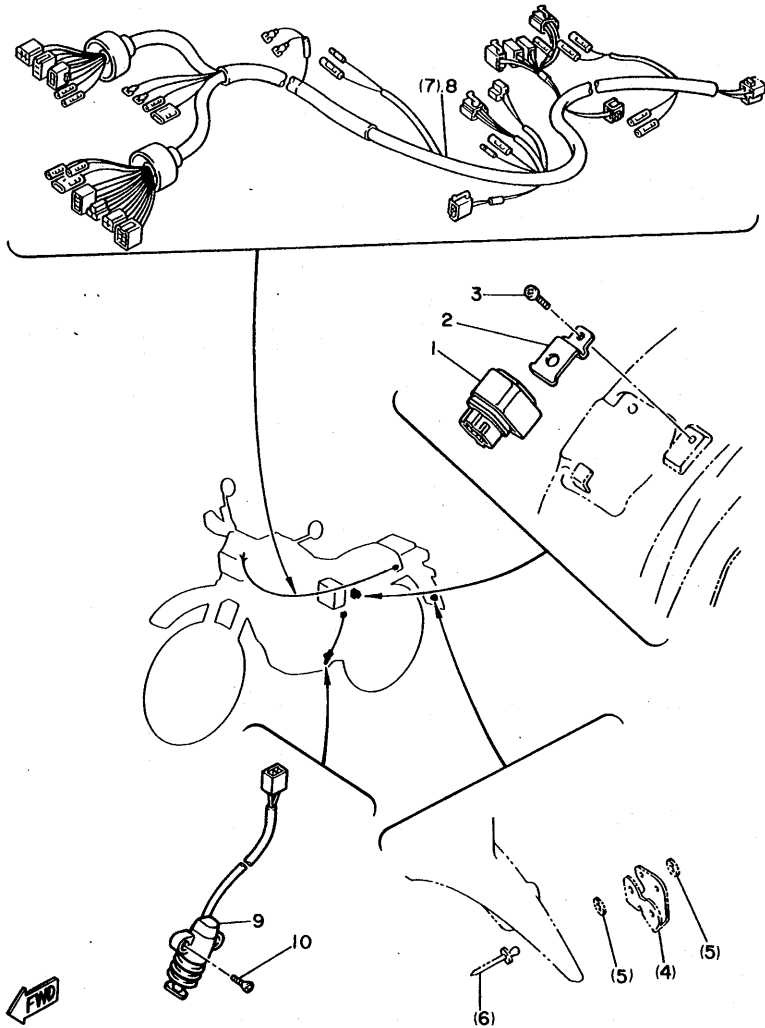
Disregard the items asterisked (*) in the "QTY" column. These are intended for GENERAL SPEC, and NOT for INDIVIDUAL SPEC.



1VJ300-6580

G13

FIG. 59 ALTERNATE (ELECTRICAL)



REF. NO.	PART NO.	DESCRIPTION	Q'TY	REMARKS
1	25G-81950-00	RELAY ASSY	1	
2	1VJ-81953-00	STAY, relay	1	
3	97702-50508	SCREW, tapping	1	
4	33G-85132-00	BRACKET, reflector 1	*	
5	90201-044A2	WASHER, Plate	*	
6	90267-40076	RIVET, blind	*	
7	1VJ-82590-00	WIRE HARNESS ASSY	*	
8	1VJ-82590-10	WIRE HARNESS ASSY	1	
9	1VJ-82566-00	SWITCH, side stand	1	
10	98706-05018	SCREW, flat head	2	

* For Convenience of reference:

Disregard the items asterisked (*) in the "QTY" column. These are intended for GENERAL SPEC, and NOT for INDIVIDUAL SPEC.

1VJ300-6590

G14

INDEX

(GENERAL SPEC.)

NUMERICAL INDEX

PART NO.	GRID NO.	PART NO.	GRID NO.	PART NO.	GRID NO.
59X-W0041-00	E- 7	34K-12151-00	B- 7	1JK-14291-00	B-13
55W-W0045-00	E- 2	5Y1-12156-00	B- 7	5Y1-14293-01	B-13
55W-W0047-00	D-15	3Y1-12159-00	B- 7	1VJ-14301-00	B-13
51L-W0048-00	D-15	34K-12161-00	B- 7	1XL-14312-55	B-14
55W-W0057-00	D-15	34K-12162-00	B- 7	5Y1-14325-00	B-13
1VJ-W1141-00	B- 5	34K-12163-00	B- 7	1JK-14340-00	B-14
5Y1-W1343-00	B- 9	5Y1-12166-00	B- 7	1VJ-1490J-00	B-14
1VJ-W1441-01	B-11	1JK-12170-00	B- 8	1VJ-1490J-10	B-14
5Y1-W2536-00	E- 3	34K-12176-00	B- 8	1JK-1490K-00	B-14
1VJ-W2835-00	E-10	34K-12210-00	B- 8	288-14343-70	B-14
1VJ-W2835-10	E-10	4X7-12213-00	B- 8	288-14343-73	B-14
1VJ-11101-01	B- 2	34K-12231-00	B- 8	288-14343-75	B-14
583-11127-00	B- 2	34K-12241-00	B- 8	30X-14343-63	B-14
	B- 4	5Y1-12283-00	B- 8	5Y1-14349-00	B-14
	B- 2	34K-12288-00	B- 2	1JK-14355-00	B-14
4H7-11133-10	B- 6	34L-12292-00	B- 3	5Y1-14356-00	B-13
34K-11145-00	C- 2	583-13113-00	B- 9	1JK-14357-00	B-13
1VJ-11166-00	B- 4	1VJ-13300-00	B- 9	30X-14358-00	B-13
1JK-11181-00	B- 2	5Y1-13325-00	B- 9	5Y1-14358-00	B-13
1H2-11186-00	B- 2	5Y1-13415-01	B- 9	1VJ-14378-00	B-13
5Y1-11187-00	B- 9	1VJ-13416-00	B-10	5Y1-14384-00	B-13
214-11198-01	B- 4	1VJ-13418-00	B-10	5Y1-14385-00	B-13
34L-11310-00	B- 4	4X7-13440-90	B- 9	6E5-14386-01	B-13
34K-11351-00	B- 5	583-13447-01	B- 9	30X-14394-00	B-14
1VJ-11400-00	B- 5	11H-13455-00	B- 9	1VJ-14411-02	B-11
1VJ-11422-00	B- 5	1VJ-13464-00	B- 9	1VJ-14412-00	B-11
34K-11454-00	B- 5	1VJ-13465-01	B-10	1VJ-14421-01	B-11
5Y1-11496-01	B- 5	1VJ-13466-02	B-10	1VJ-14425-00	B-12
5Y1-11531-00	B- 5	1VJ-13470-00	B-10	1VJ-14426-00	B-11
34K-11536-01	B- 5	1VJ-13488-00	B-10	43G-14436-00	D- 2
34K-11565-02	B- 5	43F-13586-01	B-11	1VJ-14437-00	B-11
34L-11610-00	B- 5	1VJ-13596-00	B-11	1VJ-14451-00	B-11
34L-11610-20	B- 5	1VJ-13910-00	D-13	10M-14452-00	B-11
34L-11610-40	B- 5	1JK-1410A-01	B-14	10V-14452-00	B-11
34L-11631-01-YO	B- 5	1JK-14103-00	B-14	1VJ-14453-00	B-11
1JK-11633-00	B- 5	1JK-14105-00	B-14	1VJ-14454-00	B-11
34L-11636-01	B- 5	1JK-14107-01	B-14	47J-14457-00	B-11
34L-11638-01	B- 5	5Y1-14115-00	B-13	1VJ-14458-00	B-11
1VJ-11651-00	B- 5	1JK-14131-00	B-13	1VJ-14462-00	B-11
1VJ-11681-00	B- 5	42U-14146-00	B-13	5H0-14462-00	B-11
1VJ-12111-00	B- 7	30X-14148-00	B-14	1VJ-14469-00	B-11
5Y1-12113-00	B- 7	5Y1-14149-00	B-14	1VJ-14479-00	B-11
5Y1-12114-00	B- 7	5Y1-14159-00	B-14	5Y1-14536-00	B-13
4H7-12116-00	B- 7	1JK-14197-00	B-13	5Y1-14572-00	B-13
2F3-12117-00	B- 7	1VJ-14197-00	B-13	34K-14611-00	B-15
1J7-12118-00	B- 7	5Y1-14198-00	B-13	5Y1-14613-00	B-15
1J7-12119-01	B- 7	30X-14216-00	B-13	34K-14628-00	B-15
1VJ-12121-00	B- 7	1VJ-14286-00	B-13	1VJ-14711-00	B-15
5Y1-12146-00	B- 7			34K-14714-00	B-15

NUMERICAL INDEX

PART NO.	GRID NO.	PART NO.	GRID NO.	PART NO.	GRID NO.
30X-14728-00	B-15	5Y1-16331-01	C- 8	5Y1-16331-01	C- 8
1VJ-14752-00	B-15	5Y1-16351-00	C- 8	5Y1-16351-00	C- 8
30X-14766-00	B-15	34K-16356-00	C- 8	34K-16356-00	C- 8
583-14766-00	B-15	5Y1-16357-00	C- 9	5Y1-16357-00	C- 9
1JK-1490A-00	B-14	30X-16358-00	C- 8	30X-16358-00	C- 8
1VJ-1490J-00	B-14	34K-16371-00	C- 8	34K-16371-00	C- 8
1VJ-1490J-10	B-14	1VJ-16380-01	C- 8	1VJ-16380-01	C- 8
1JK-1490K-00	B-14	5Y1-16383-00	C- 8	5Y1-16383-00	C- 8
1VJ-15100-02	C- 2	34K-17121-01	C-10	34K-17121-01	C-10
5Y1-15383-00	C- 2	1VJ-17131-00	C-10	1VJ-17131-00	C-10
1VJ-15411-00	C- 3	34K-17141-00	C-10	34K-17141-00	C-10
1VJ-15415-00	C- 4	1VJ-17151-01	C-10	1VJ-17151-01	C-10
5Y1-15417-01	C- 3	34L-17211-00	C-10	34L-17211-00	C-10
1VJ-15421-00	C- 3	5Y1-17221-01	C-10	5Y1-17221-01	C-10
5Y1-15427-01	B- 9	1VJ-17231-00	C-10	1VJ-17231-00	C-10
5Y1-15431-02	C- 3	55U-17241-00	C-10	55U-17241-00	C-10
1VJ-15451-00	C- 3	5Y1-17251-00	C-10	5Y1-17251-00	C-10
1VJ-15455-00	C- 4	1VJ-17402-00	C-10	1VJ-17402-00	C-10
34K-15462-00	C- 3	34L-17411-00	C-10	34L-17411-00	C-10
1VJ-15486-00	C- 7	3Y1-17456-00	C-10	3Y1-17456-00	C-10
1VJ-15487-00	C- 7	1JK-17461-50	C-10	1JK-17461-50	C-10
1VJ-15511-00	C- 7	5Y1-17471-00	C-10	5Y1-17471-00	C-10
1VJ-15512-00	C- 7	5Y1-17800-00	B- 2	5Y1-17800-00	B- 2
1VJ-15515-00	C- 7	5Y1-18101-01	C-12	5Y1-18101-01	C-12
1VJ-15517-00	C- 7	43F-18102-01	C-12	43F-18102-01	C-12
1VJ-15521-00	C- 7	1VJ-18110-00	C-12	1VJ-18110-00	C-12
1VJ-15522-00	C- 7	1W6-18113-00	C-12	1W6-18113-00	C-12
1VJ-15544-02	C- 7	34K-18120-00	C-12	34K-18120-00	C-12
1VJ-15590-00	C- 7	34K-18140-00	C-11	34K-18140-00	C-11
3Y1-1561A-02	C- 5	5Y1-18185-00	C-11	5Y1-18185-00	C-11
5Y1-1561G-00	C- 6	5Y1-18511-00	C-11	5Y1-18511-00	C-11
5Y1-1562F-01	C- 4	5Y1-18512-00	C-11	5Y1-18512-00	C-11
5Y1-15620-02	C- 5	5Y1-18513-00	C-11	5Y1-18513-00	C-11
5Y1-15621-01	C- 5	34K-18531-00	C-11	34K-18531-00	C-11
34K-15641-00	C- 5	34K-18535-00	C-11	34K-18535-00	C-11
5Y1-15645-00	C- 3	5Y1-18540-00	C-11	5Y1-18540-00	C-11
5Y1-15651-01	C- 5	1VJ-21110-00-FH	C-13	1VJ-21110-00-FH	C-13
5Y1-15660-01	C- 5	1VJ-21110-00-NJ	C-13	1VJ-21110-00-NJ	C-13
2K7-15668-00	C- 5	5A8-21308-00	D-14	5A8-21308-00	D-14
248-15668-00	C- 5	34L-21315-00	C-13	34L-21315-00	C-13
5Y1-15671-00	C- 5	1VJ-21316-00-FH	C-13	1VJ-21316-00-FH	C-13
214-15674-00	C- 5	1VJ-21316-00-NJ	C-13	1VJ-21316-00-NJ	C-13
214-15686-00	C- 5	5Y1-21441-00	C-13	5Y1-21441-00	C-13
34K-16111-00	C- 8	1VJ-21471-00	C-13	1VJ-21471-00	C-13
34K-16150-00	C- 8	1VJ-21511-00	C-15	1VJ-21511-00	C-15
3Y1-16154-00	C- 8	48Y-21511-00	C-15	48Y-21511-00	C-15
5Y1-16321-00	C- 8	1VJ-21551-00	C-15	1VJ-21551-00	C-15
360-16325-00	C- 8	30X-21551-50	C-15	30X-21551-50	C-15

NUMERICAL INDEX

PART NO.	GRID NO.	PART NO.	GRID NO.	PART NO.	GRID NO.
55W-22210-00-26	D-6	55W-23157-00	D-10	1VJ-24731-00	D-14
55W-22210-00-6W	D-6	55W-23166-00	D-9	1VJ-24731-10	D-14
50T-22211-00	D-6		D-10	1VJ-24738-00	D-14
55W-22212-00	D-6	34L-23167-00	D-10	1VJ-24748-00	D-14
55W-22212-00-6W	D-6	55W-23170-00	D-9	1VJ-24770-20	D-14
50T-22213-00	D-6		D-10	1VJ-24770-30	D-14
50T-22215-00	D-6	55W-23171-00	D-9	1VJ-24780-00	D-14
3R4-22221-01	D-6		D-10	1VJ-24830-00	D-14
3Y1-22223-00	D-6	1VJ-23174-00	D-8	55V-24877-00	D-14
50T-22224-00	D-6	34L-23181-00	D-11	34L-25104-00	D-15
34L-22226-00	D-6	55W-23181-00	D-9	34L-25111-00-98	D-15
34L-22311-01	D-5		D-10	322-25118-00	D-15
30X-22312-01	D-5	4V1-23184-L0	D-9	5Y1-25151-00	E-3
55W-22401-00	D-6		D-10	43F-25181-00	D-15
50T-22409-00	D-6	5K7-23190-00	D-9	34L-25190-00	D-15
50T-22493-00	D-6		D-10	34L-25304-00	E-3
50T-22497-00	D-6	34L-23191-00	D-10	5Y1-25311-00-98	E-3
55W-23102-20	D-9	34L-23191-10	D-10	146-25315-00	E-3
55W-23103-20	D-9	34L-23192-00	D-10	5X4-25317-00	E-3
55W-23106-00	D-9	3Y1-2331E-00	D-7	34L-25321-00-98	E-3
55W-23107-00	D-9	36X-2331E-00	D-11	4G0-2533A-00	E-3
50T-23110-00	D-9	34L-23318-01	D-7	34L-25355-00	E-3
34L-23111-00	D-9	55W-23340-20	D-11	5Y1-25364-00	E-3
	D-10	55W-23351-20	D-9	1VJ-25366-00-98	E-3
34L-23114-00	D-9	1W1-23416-00	D-7	1VJ-25377-00	E-3
	D-10	5A8-23434-00	D-7	1VJ-25381-00	E-4
50T-23118-00	D-9	34L-23435-00-98	D-7	1VJ-25383-00	E-4
	D-10	1E6-23441-00	D-7	3Y1-25388-01	E-4
1E7-23119-00	D-9	3Y6-23442-00-98	D-7	3Y1-25389-00	E-4
	D-10	30X-23445-00	D-8	2X5-25394-00	E-3
34L-23135-00	D-9	134-23484-10	D-7	156-25398-00	D-15
	D-10	34L-23489-00	D-10		E-4
55W-23141-20	D-9	1VJ-24110-00-01	D-12	5Y1-25412-00	E-3
	D-10	1VJ-24110-00-02	D-12	43F-25440-50-33	E-3
34L-23142-00	D-9	1VJ-24161-00	D-12	1VJ-25715-00	E-2
	D-10	1VJ-24161-10	D-12	1VJ-25715-10	E-2
1LN-23144-00	D-9	22W-24181-00	B-15	1VJ-25810-10	D-15
	D-10	1VJ-24182-00	D-12	55W-25831-00	D-15
1LN-23145-00	D-9	34L-24183-00	D-12	34X-25845-00	E-2
	D-10	1VJ-24240-00	D-12	59X-25850-00	E-7
3H3-23147-00	D-9	1VJ-24240-10	D-12	55U-25852-00	E-7
	D-10	1VJ-24500-00	D-12	55U-25854-00	E-7
34L-23147-00	D-9	1VJ-24500-10	D-12	4L0-25862-00	E-7
	D-10	360-24512-00	B-13	56A-25867-00	E-7
34L-23151-00	D-9	4X8-24512-00	D-12	1VJ-25872-00	E-7
	D-10	4X8-24534-00	D-12	5R2-25917-00	D-15
34L-23153-00	D-9	34L-24610-02	D-13	55W-25919-00	E-2
	D-10	1VJ-24723-00	D-14	34X-25926-00	E-2
55W-23157-00	D-9			34X-25937-00	D-15

NUMERICAL INDEX

PART NO.	GRID NO.	PART NO.	GRID NO.	PART NO.	GRID NO.
34K-26111-00	E-5	22U-81940-00	F-4	1KH-83922-01	F-2
1LN-26141-00	E-5	12R-81950-00	F-4	437-83936-00	F-2
1VJ-26141-00	E-5	47X-81960-A0	F-3	1VJ-83964-00	F-2
1LN-26142-00	E-5	1VJ-82110-60	F-3	30X-83972-00	F-2
1VJ-26142-00	E-5	1VJ-82115-00	F-3	34X-83980-01	F-2
1VJ-26241-00	E-5	1VJ-82116-00	F-3	47J-84115-00	E-14
1VJ-26242-00	E-5	371-82121-00	D-3	233-84127-60	E-14
3Y1-26243-01	E-5	5Y1-82122-00	F-3	43F-84131-00	E-14
3Y1-26249-00	E-5	1E6-82131-00	F-3	10V-84196-00	E-14
53L-26261-01	E-5	2T4-82131-00	D-3	10V-84198-00	E-14
55V-26280-00	E-5	5Y1-82180-00	F-3	43F-84303-G0	E-14
34K-26281-00	E-5	1VJ-82310-50	F-3	34L-84321-G0	E-14
1VJ-26282-00	E-5	1VJ-82317-00	F-3	562-84324-A0	E-14
55V-26290-00	E-5	371-82370-00	F-3	341-84332-60	E-14
1VJ-26302-00	E-5	5Y3-82501-80	F-3	198-84334-60	E-14
1VJ-26331-00	E-5	1VJ-82519-00	F-3	34L-84346-00	E-14
1VJ-26333-00	E-5	34L-82530-00	F-4	2F9-84375-00	E-14
1JK-26334-00	E-5	2H7-82540-00	F-4	2F9-84397-01	E-14
1VJ-26335-00	E-5	1VJ-82590-00	F-3	36A-84551-00	E-15
1E6-26342-00	E-5	12R-82591-00	B-10	47X-84710-E0	E-15
116-27114-00	D-3	447-82591-00	F-3	31L-84714-00	E-15
4N0-27114-00	C-13	5A8-82591-00	F-3	47X-84721-00	E-15
1VJ-27211-00-90	E-8	7F6-82591-00	C-14	47X-84723-00	E-15
1VJ-27231-00	E-8	1LN-82911-00	F-2	47X-84735-00	E-15
55V-27242-00	E-8	33G-82913-00	F-2	16G-84736-00	E-15
55W-27311-00-R4	E-9	5H0-82917-00	F-2	4G1-84744-00	E-13
22W-27411-00-90	E-8	34L-83310-21	E-12	3G1-85130-01	E-15
34L-27412-00-R4	E-8	10V-83312-00	E-12	33G-85132-00	E-15
22W-27421-00-90	E-8	5Y1-83312-00	E-12	1VJ-85510-50	E-11
34L-27422-01-R4	E-8	5Y1-83313-00	E-12	1VJ-85540-50	F-3
120-27431-00	E-9	1VJ-83318-00	E-12	1VJ-85550-50	E-11
26F-27432-00-FH	E-9	1VJ-83328-00	E-12	90101-06288	E-8
26F-27432-00-NJ	E-9	37A-83330-21	E-12	90101-06291	E-3
120-27433-00	E-9	34L-83350-20	F-4	90101-10308	F-2
1VJ-27442-00-FH	E-9	18G-83365-00	E-12	90101-12498	D-6
1VJ-27442-00-NJ	E-9	1VJ-83371-00	F-4	90105-07087	B-8
43F-28100-01	D-3	5Y1-83513-00	E-13	90105-08213	B-4
1VJ-28346-00	C-15	5Y1-83519-00	E-13	90105-08214	B-4
1VJ-28368-00	E-10	5Y1-83520-00	E-13	90105-10286	C-13
1VJ-28368-10	E-10	437-83525-00	E-13	90105-14102	D-7
1VJ-81800-60	C-7	1M1-83526-00	E-13	90109-06418	B-3
1VJ-81801-00	C-7	5Y1-83536-00	E-13	90109-06419	B-9
1VJ-81809-00	C-7	34L-83540-00	E-13	90109-06757	D-15
1VJ-81836-00	C-7	5Y1-83541-00	E-13	90109-06774	F-2
4G0-81844-00	C-7	48Y-83550-00	E-13	90109-06798	F-2
26H-81847-00	C-7	1VJ-83560-00	E-13	90109-08705	C-14
1VJ-81850-00	C-7	34L-83570-F0	E-13	90109-08789	E-9
4G0-81871-00	C-7	5Y1-83912-00	F-2	90109-10759	D-5

NUMERICAL INDEX

PART NO.	GRID NO.	PART NO.	GRID NO.	PART NO.	GRID NO.	PART NO.	GRID NO.	PART NO.	GRID NO.	PART NO.	GRID NO.
90109-10760	D- 5	90201-044A2	E-15	90208-04029	D- 7	90430-06166	B-10	90501-10245	E- 8	91316-06040	C- 3
90109-120A3	D- 4			90209-06174	B-10	90430-08119	C- 8	90501-10312	F- 2	91316-06045	C- 2
90109-124A7	E- 9	90201-05029	D-13	90209-06223	D- 5		D- 2	90501-12081	C- 5	91316-06050	B- 2
90110-06138	B- 4	90201-05033	E-13	90209-22191	C-10	90430-08178	B- 4	90501-16107	C- 5		C- 3
	D-12	90201-06067	E-15	90215-16242	B- 6		C- 2	90501-22721	B- 5	91316-06055	B- 2
90116-06475	B- 2	90201-062A8	D- 5	90215-20197	C- 8	90430-10027	F- 4	90501-23142	C- 8	91316-06060	C- 2
90116-10087	C- 2	90201-065F3	D-12	90215-20231	C- 8	90430-27124	D- 2	90506-18305	E- 8	91316-06080	B- 9
90116-10263	C- 2	90201-065G8	D-13	90240-06009	E- 9	90445-05026	D-13	90507-20002	E- 3	91316-06125	B- 2
90116-10348	E- 3	90201-066F3	C-13	90240-06040	E- 8	90445-087E1	F- 3	90507-29009	E- 9		
90116-10378	B- 2	90201-06674	E-11	90240-14106	D- 6	90445-10144	D-13	90508-14352	E- 8	91401-16015	E- 9
		90201-08326	B-15	90249-12008	E- 8	90445-10638	D-13	90508-14524	C- 6	91401-20015	E- 8
90119-06043	C-15	90201-080L7	B- 4	90267-32071	C-15	90445-116E0	D-12	90508-14710	C- 8	91401-25015	E- 8
	D- 2	90201-080L8	B- 4	90267-40073	D- 2	90445-11663	D-12	90508-18551	B- 3		E- 9
90119-06063	C-15	90201-08753	C-13	90267-40076	E-15	90445-11748	D- 2	90508-20023	E- 8	91401-30020	E- 8
90119-06125	D- 4		C-14	90269-04003	D- 7	90460-46206	B-11	90508-26691	C-11	91401-30025	D- 6
90123-08046	E- 5	90201-100A1	D- 7	90280-05013	B- 5	90460-51059	B-12	90508-29629	C-12	91401-30030	D-15
90149-05110	B- 9	90201-100E9	D- 5	90282-05013	B- 6	90460-58015	B-12	90508-32529	C- 5		E- 4
90149-06011	D-12	90201-100F7	D- 5	90282-07042	C- 8	90461-06M00	D-13	90560-15240	D-15		
90149-06153	F- 2	90201-10118	E- 7	90336-18038	C- 5	90462-16102	C- 3	90560-25283	C-10	91701-06022	E- 8
90149-06194	E- 2	90201-10124	B- 4	90340-14079	B- 2	90464-12089	D- 3	91001-08012	D- 2	91701-08038	E- 8
90149-08067	C- 8	90201-10131	D- 3		C- 3	90464-16039	E- 5	91002-06010	D- 3	91810-05018	B- 4
90151-06017	C-11	90201-10135	C- 6	90340-36078	C- 3	90464-20064	B-10	91006-06012	D- 8	92501-06008	B-15
90152-06010	C- 5	90201-10590	B- 4	90380-14095	D- 4	90465-14242	D- 7	91021-10025	E- 8	92501-06010	D-13
90159-06010	C- 8	90201-120A5	D- 4	90380-14130	D- 6	90465-16301	C- 3		E- 9	92501-06012	C- 3
90159-06078	C-11	90201-12362	D- 6	90380-22111	D- 4	90467-08017	D-13	91026-06012	D-14		C-13
90164-06004	C-15	90201-12474	C-12	90386-20120	D- 4	90467-09006	D-13	91026-08020	D-14		D- 7
90164-06017	B-15	90201-12790	D- 2	90386-20123	D- 5	90467-10008	D- 2	91026-08040	D- 7		F- 3
90170-06010	F- 2	90201-13409	C-14	90387-060A7	B-10		D-12	91311-06060	D- 5	92501-06014	B- 9
90170-06128	B- 7	90201-140A6	B- 5	90387-063F7	C-11	90467-11009	C-11	91311-08020	C- 7	92501-06020	E-11
90170-10219	E- 3	90201-140G9	D- 4	90387-06387	D-12	90467-14015	D-12	91316-06010	E- 5		F- 3
90170-16343	B- 6	90201-14215	E- 8	90387-06388	B-12		C- 2	91316-06012	B-10	92501-06035	E- 5
90170-20274	C- 8	90201-15238	D- 5		E-14	90468-12006	D- 7		D- 8		E-11
90170-20327	C- 8	90201-155K6	C- 5	90387-065L7	C-13	90480-01141	D- 2	91316-06016	B-10	92506-06012	D- 5
90171-14020	D-15	90201-15701	C- 5	90387-06500	E- 5	90480-01451	D-14		C- 3	92506-06016	D- 5
90171-16024	E- 4	90201-15785	D-15	90387-06681	C-15	90480-10068	D-15	91316-06018	B- 2	92701-06012	C- 2
90175-06013	E- 8	90201-17327	C- 8	90387-07037	E-15		E- 4	91316-06020	B-11	92706-06025	D-14
90176-08026	B- 4	90201-20276	C- 5	90387-085E1	C-14	90480-10408	D- 2		C- 7	92706-06030	B- 2
90179-06499	B-15		C-10	90387-121H1	D- 4		D- 3	91316-06025	B- 2	92901-03200	C-15
90179-08148	E- 5	90201-20279	E- 9	90387-122J6	D- 5	90480-12325	D- 2		B- 8	92901-05600	D- 7
90179-10201	B- 4	90201-20685	C- 5	90387-152J3	D-15	90480-13459	D- 3		C- 3	92901-06200	C- 8
90179-10279	B- 4	90201-244A8	D- 4	90387-16782	C- 2	90480-14023	E-14		C- 4		D-10
90179-14317	B- 5	90201-251F6	D- 5	90387-177N2	E- 4	90480-15235	B-10	91316-06030	B- 7		E- 8
90179-25033	D- 7	90201-301F4	B- 5	90387-17783	C- 2	90480-15259	E-15		C- 2	92901-06600	B- 8
90185-10060	C-13	90201-307K8	C- 7	90387-440G3	D- 4	90480-15363	C-13		C- 3		C- 6
90185-10120	D- 5	90201-356K1	B- 5	90401-10034	E- 7	90480-18354	D-12	91316-06035	B- 9		D- 5
90185-12080	D- 6	90202-06010	D-12	90413-07023	D-12	90480-19368	C-15		C- 3		E- 5
90185-12119	D- 4	90206-06060	B-15	90430-05126	B- 9	90501-043E0	B- 9		C- 4		E- 8
	E- 9	90206-12075	B- 7	90430-06014	B- 3	90501-08486	D-12	91316-06040	B- 2	92901-08600	D-11
90185-14070	D- 5										

NUMERICAL INDEX

NUMERICAL INDEX

PART NO.	GRID NO.	PART NO.	GRID NO.	PART NO.	GRID NO.	PART NO.	GRID NO.	PART NO.	GRID NO.	PART NO.	GRID NO.
92901-10100	C-13	93210-14579	B-10	93700-06004	D- 5	97301-06016	F- 3				
	D- 7	93210-15171	B-10	93700-06005	D- 5	97302-06020	E-14				
	E- 2	93210-19522	B- 2	94130-211N0	D-15	97306-06020	B-10				
92901-10200	E- 2	93210-22298	B- 9	94130-214F8	D-15	97311-08030	C- 5				
92901-14600	D- 6	93210-32172	B- 2	94146-181N2	E- 3	97311-10080	C-13				
92902-04100	B-13	93210-36510	C- 3	94146-185F0	E- 3	97313-06016	C- 5				
92906-05100	F- 2	93210-36549	B-11	94212-18188	E- 3	97316-06020	C-12				
92906-05600	B-11	93210-62446	B- 2	94227-21123	D-15	97321-06014	C-10				
	B-12	93210-64297	B- 9	94330-21084	D-15	97321-06016	B- 8				
92906-06100	B-10	93210-98473	B- 4	94340-18086	E- 3	97322-06010	C-10				
	D- 5	93306-00426	C-10	94416-21367	D-15	97326-06025	E- 7				
	E- 7	93306-00431	C-10	94416-21396	D-15	97701-40530	E-12				
92906-06600	B- 2	93306-20006	C- 7	94425-18371	E- 3	97702-40630	E-12				
92990-04100	B-13	93306-20209	D-15	94425-18421	E- 3	97706-50520	B-11				
92990-04200	D- 2	93306-20310	E- 3	94580-40104	E- 4	97706-50525	B-11				
92990-06100	B-15	93306-20316	E- 3	94580-92126	B- 8	97706-50530	B-11				
	C-13	93306-30423	E- 3	94680-50011	E- 4	97801-03008	D-12				
	D- 7	93306-30525	B- 5	94701-00262	B- 2	98501-04014	B-13				
	D-10	93306-30535	C-10	95021-06012	D-14	98501-05010	B-14				
	D-13	93306-30540	C-10	95021-06050	D- 4	98501-05020	D- 7				
	E-11	93306-30541	B- 6	95023-06010	F- 4	98503-04010	B-13				
92990-06200	D- 4	93306-30710	B- 5	95023-08016	C-13		B-14				
92990-06600	F- 3	93310-212R6	C- 7	95026-06012	E-15	98506-04012	E- 7				
92990-08100	D-11	93310-217R7	C- 7	95026-08035	D- 7	98506-05020	B-11				
93101-14092	C- 3	93310-530R5	C- 7	95301-05600	D- 7		E- 6				
93101-25106	B- 6	93310-635R3	B- 5	95301-06600	C- 8		F- 2				
93102-07261	B- 2	93315-11720	C- 8		E- 8	98506-05025	E- 6				
93102-10207	C- 5	93315-31732	D- 4	95301-06700	E- 5	98506-05030	F- 2				
93102-11262	B- 2	93316-00503	C-11	95301-06800	D-10	98506-05035	F- 2				
93102-12106	B- 3	93317-11020	C- 8	95301-10700	D- 7	98511-04012	E-12				
	C-12	93317-32231	D- 4	95302-06600	E-15	98580-04016	B-13				
	C- 8	93332-00008	D- 7	95302-06700	E-15	98901-06008	B- 9				
93102-17148	C- 5	93332-00023	D- 7	95302-12700	E-12	98903-06010	E-10				
93102-20108	D-15	93410-20038	C- 5	95311-06700	C- 6	98906-06010	B-15				
93102-20281	C-10	93440-11024	C- 7	95311-08600	D-11	99001-09600	C-12				
93102-25226	E- 3	93440-12052	B- 2	95601-06100	F- 2	99001-10600	C-12				
93102-30072	D- 4	93440-25084	C-10	95701-05500	D-13	99009-10400	C- 6				
93106-22019	D- 4	93440-48079	D- 6	95702-05500	E-15	99009-11400	B- 9				
93108-35004	B- 9	93450-24028	B- 5	95702-06500	F- 3	99009-15400	C- 5				
93210-07135	C- 2	93503-08007	B- 9		F- 4	99009-20400	C- 5				
	B- 7	93507-32031	C- 5	95801-06012	D-13		C-10				
93210-08521	B- 9	93515-32029	C- 9	95806-06020	B-12	99510-08016	B- 4				
93210-09350	B- 9	93602-11144	D- 6	95806-06040	E-13		C- 2				
93210-10197	B- 9	93604-10011	C-11	95811-08012	B-15		C- 4				
93210-13361	B- 9	93604-21193	D- 6	95811-10100	C-13	99510-10114	B- 2				
	C- 3	93604-26132	D- 6	95816-08045	B-15	99530-12016	C- 2				
93210-14104	E-13	93605-10090	B- 5	95821-06025	C-13		C- 3				
93210-14369	B- 2	93608-33046	C-12	95821-08020	B-15						



INDEX

(INDIVIDUAL SPEC.)

COPY RIGHT: ALL RIGHTS RESERVED
NO PART OF THIS PUBLICATION MAY BE
REPRODUCED WITHOUT PERMISSION.



YAMAHA

YAMAHA MOTOR CO., LTD.
2500 SHINGAI IWATA-SHI SHIZUOKA-KEN JAPAN

PRINTED IN JAPAN
First edition Mar., 1986

ITP